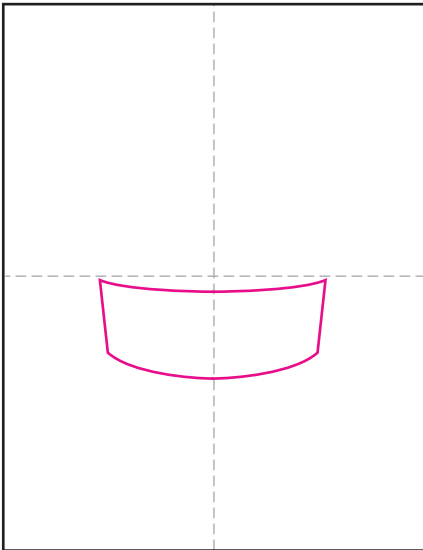
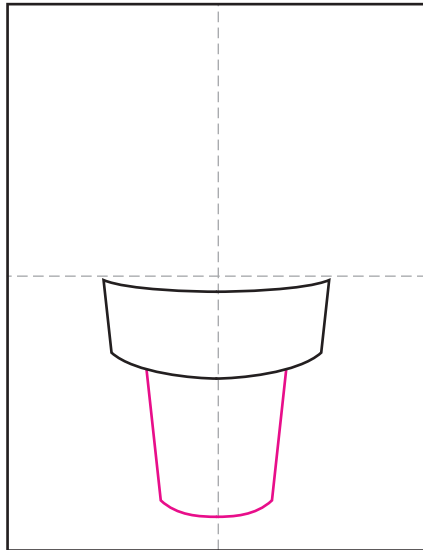


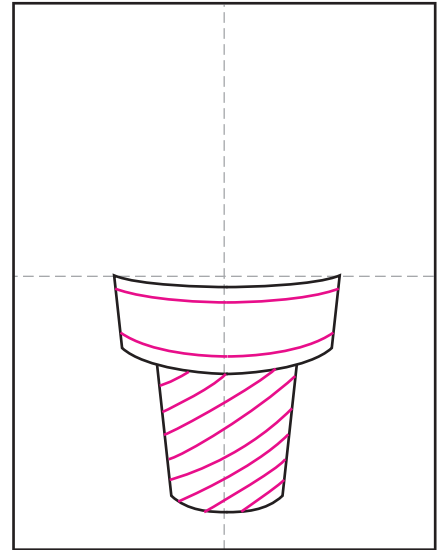
Draw Ice Cream



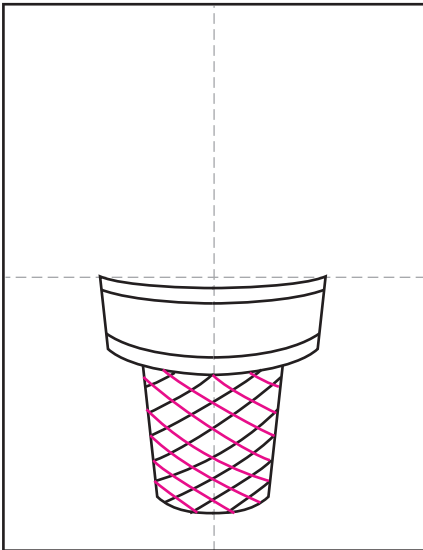
1. Draw the curved cone rim.



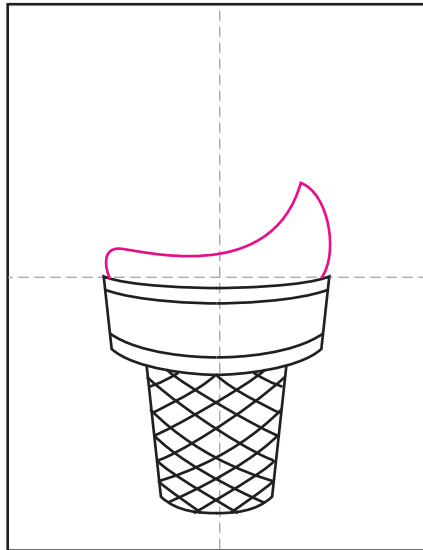
2. Add the bottom below.



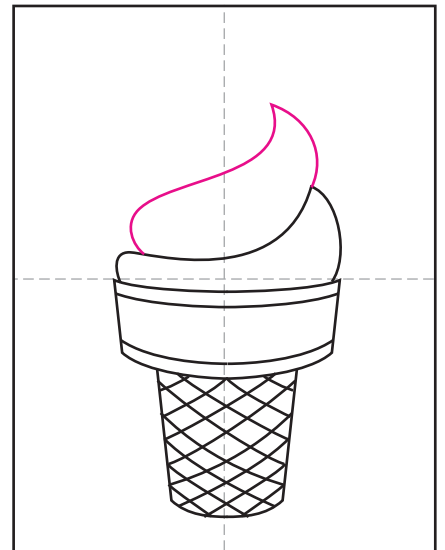
3. Draw rim lines and diagonal lines below.



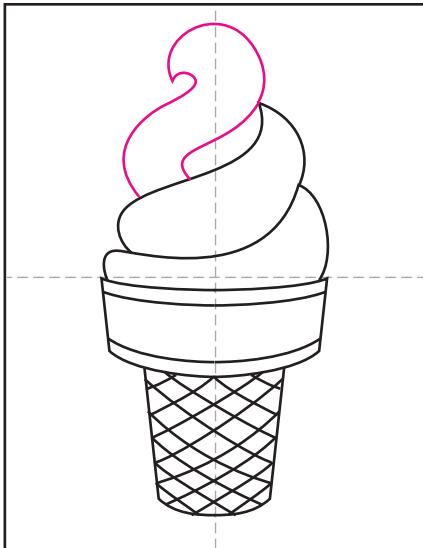
4. Add diagonal lines in opposite direction.



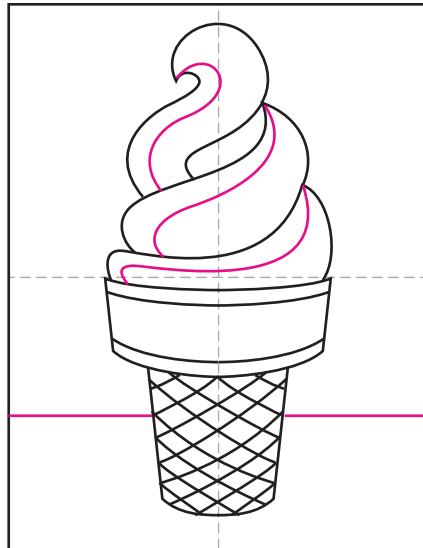
5. Draw the first ice cream layer.



6. Add another ice cream layer.



7. Add a third ice cream twist on top.



8. Draw inside swirl lines in each.



9. Trace with a marker and color.

Ice Cream Cone

