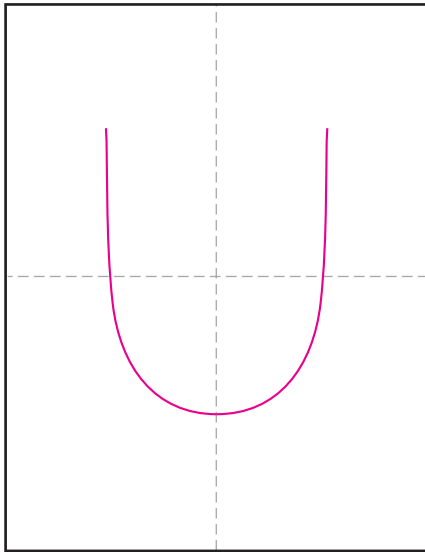
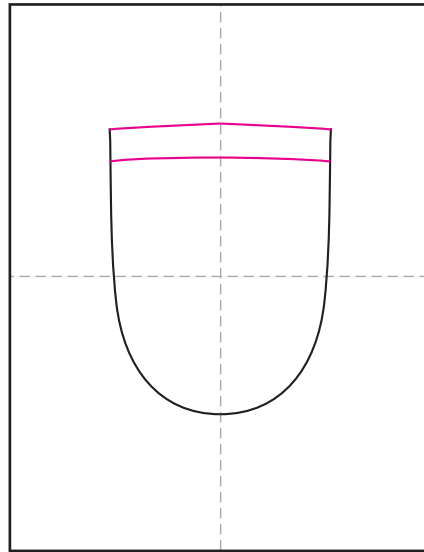


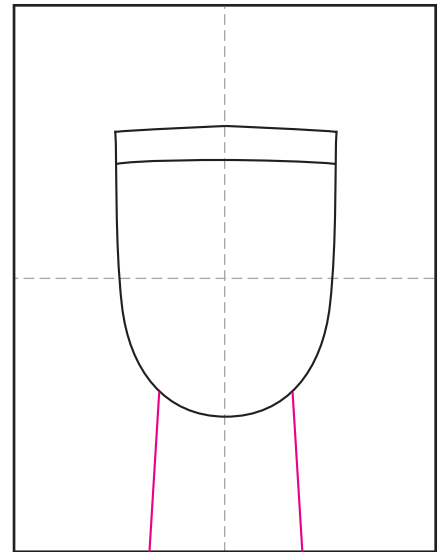
# Draw an Easy King Tut



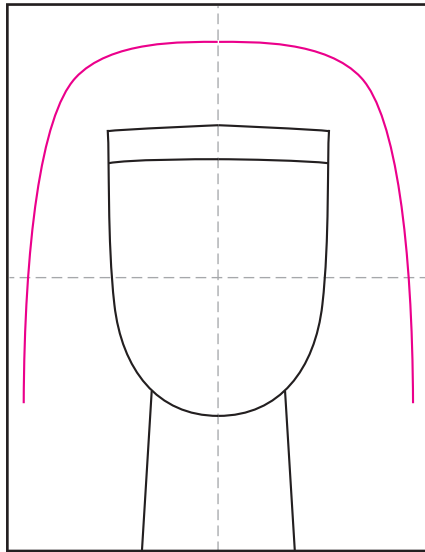
1. Draw a large U shape.



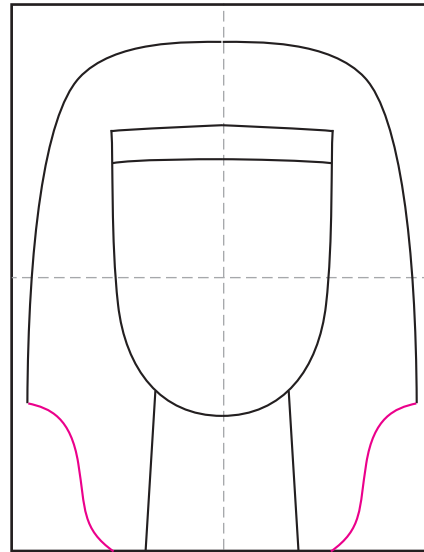
2. Close the top with two lines.



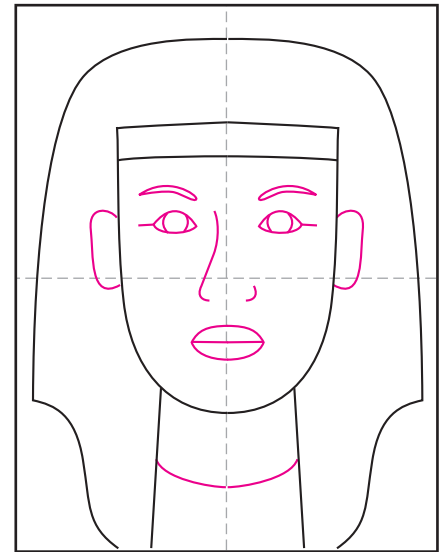
3. Draw a neck below.



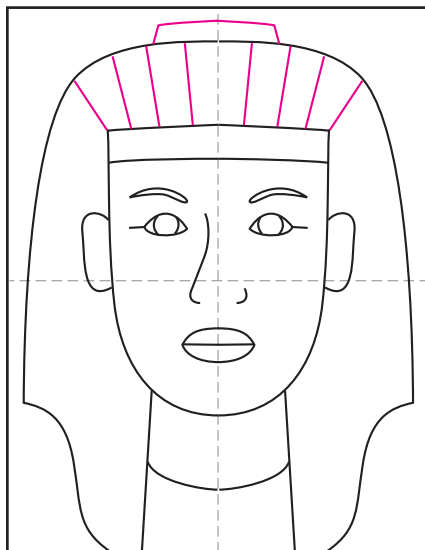
4. Start the top of the head dress.



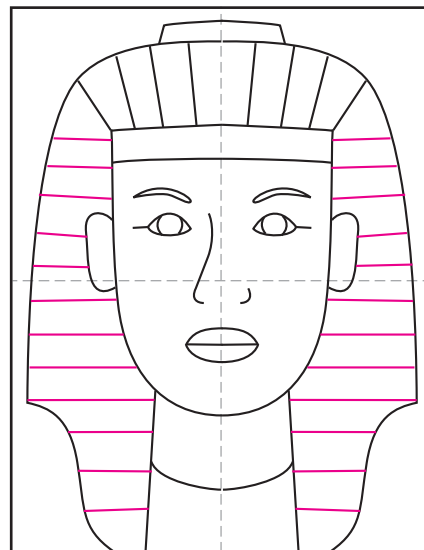
5. Finish with the bottom shapes.



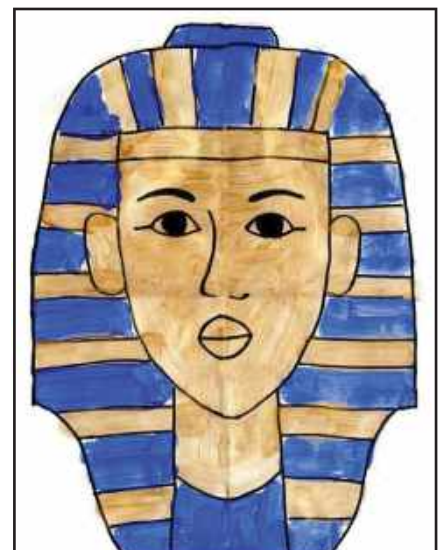
6. Add facial features and neck line.



7. Start the top head dress stripes.



8. Finish the bottom stripes.



9. Trace with a marker and paint.

# Easy King Tut

