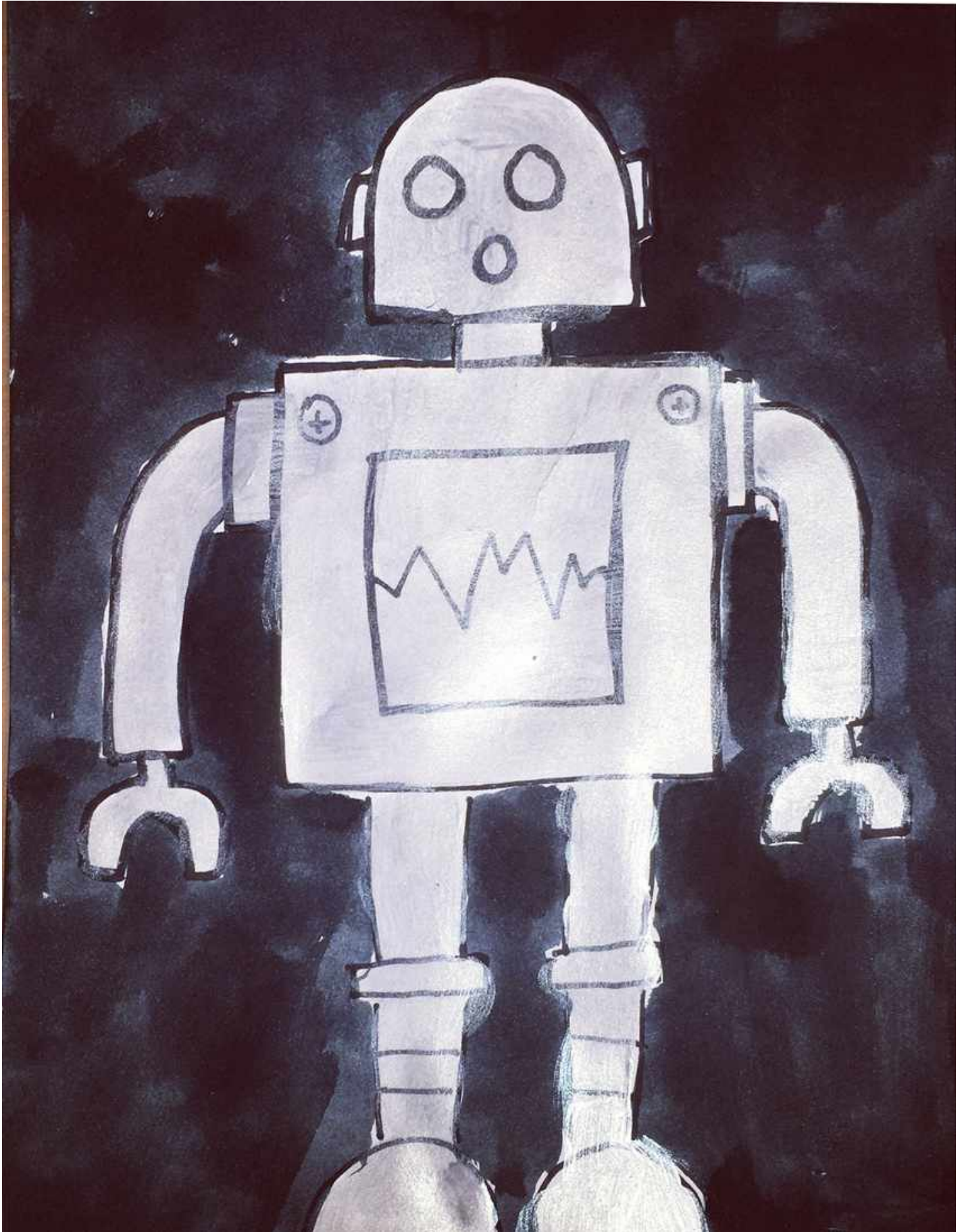
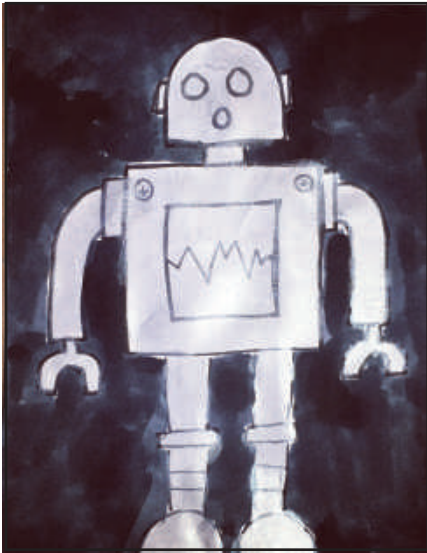


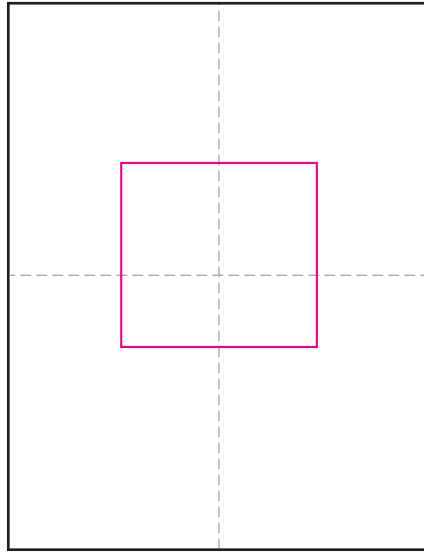
Paint a Robot



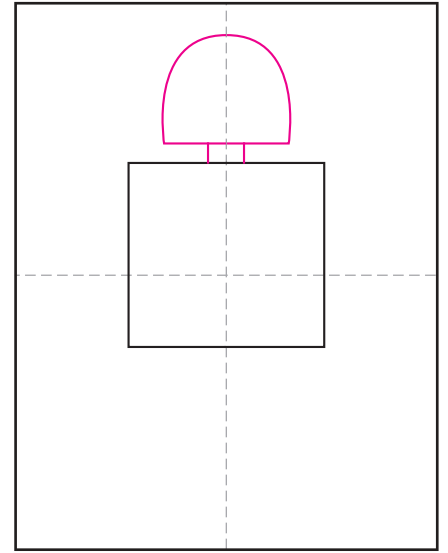
Paint a Robot



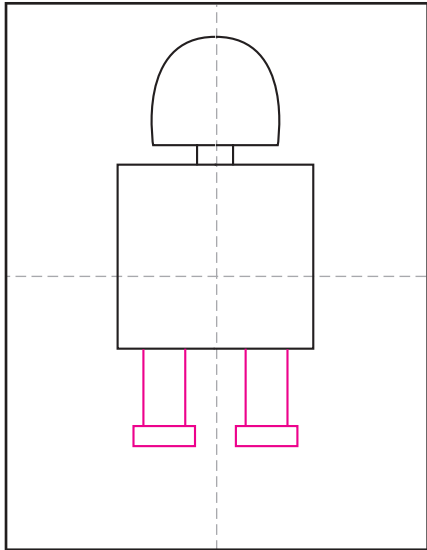
Supplies: Metallic paint, watercolor



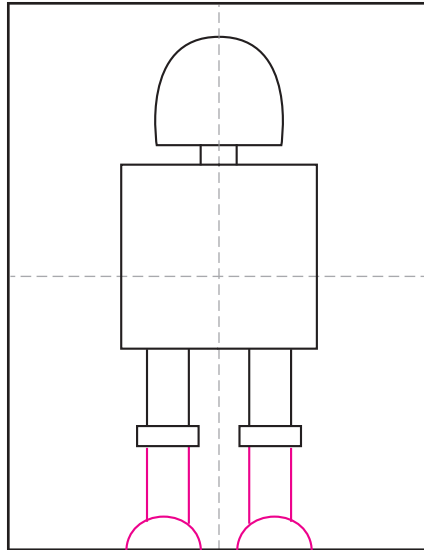
1. Make guide lines. Draw a square.



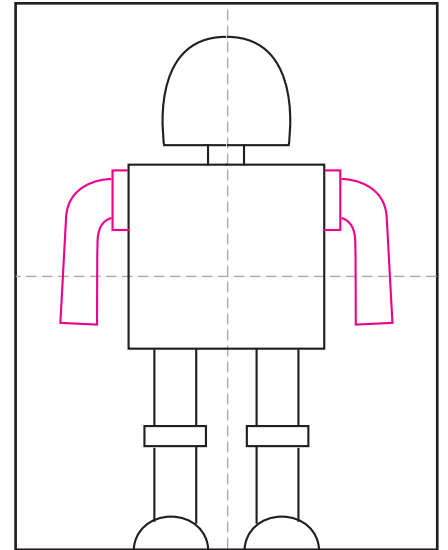
2. Draw the round head above.



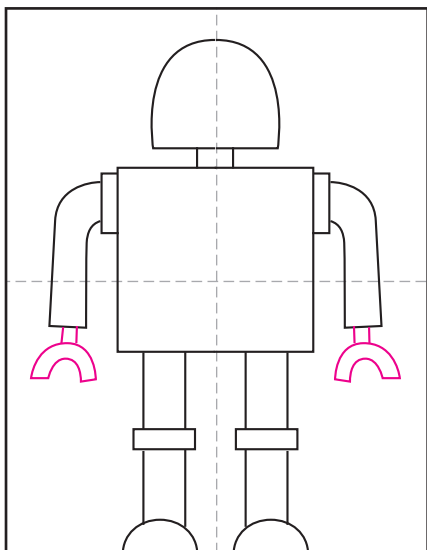
3. Start the legs.



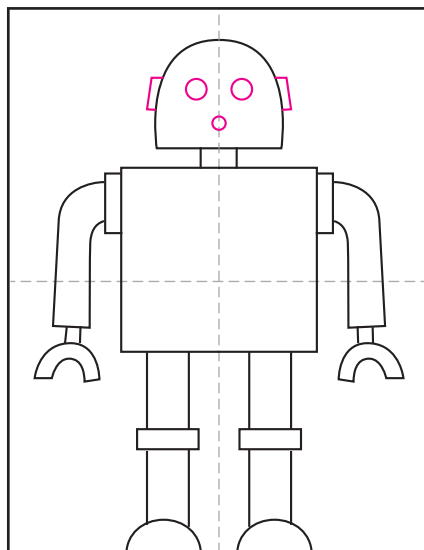
4. Finish the legs.



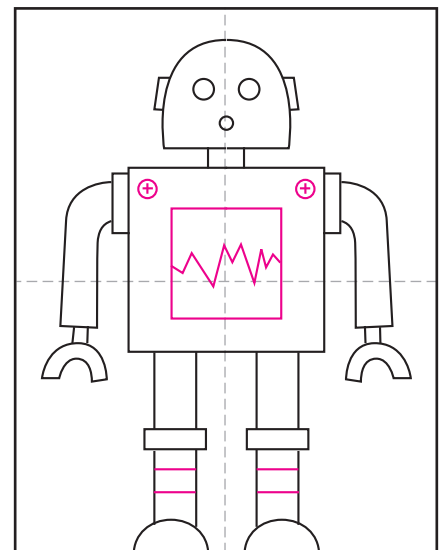
5. Start the arms.



6. Add two curved hands.



7. Add a face and ears.



8. Finish with body details.

