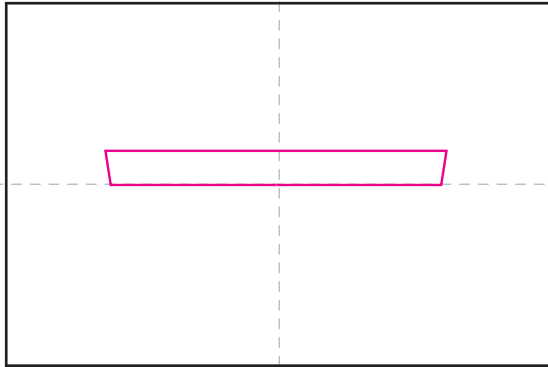


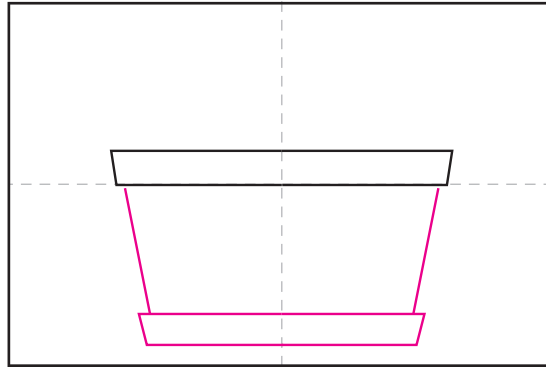
Art Journal Apple Drawing



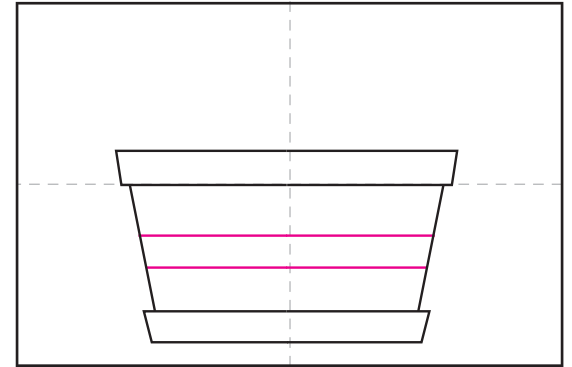
Art Journal Apple Tutorial



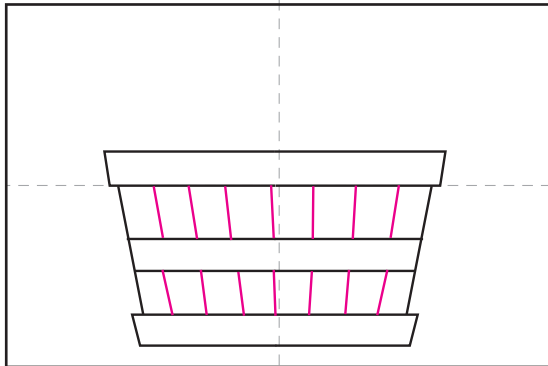
1. Draw a rectangle for the bushel rim.



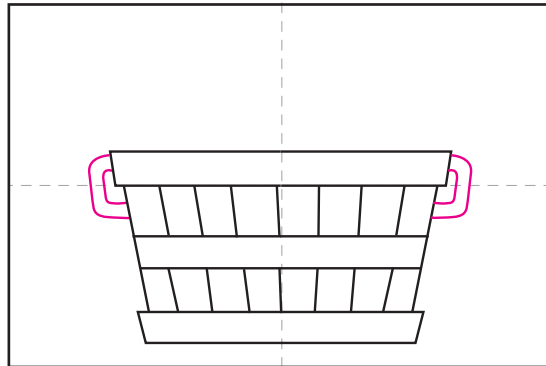
2. Add the base and the sides.



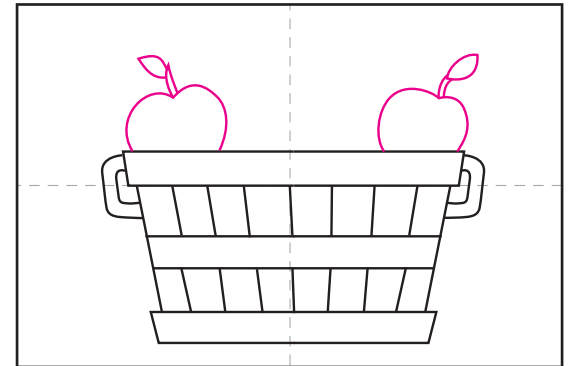
3. Draw a band in the middle.



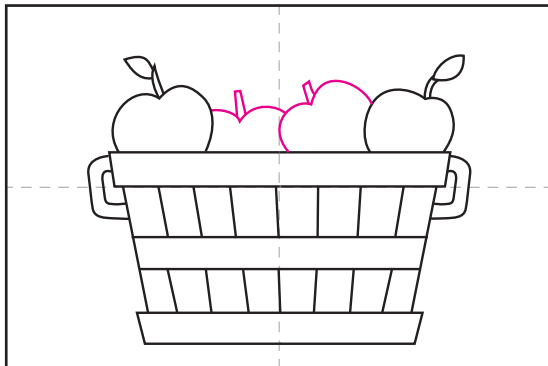
4. Add angled wood lines.



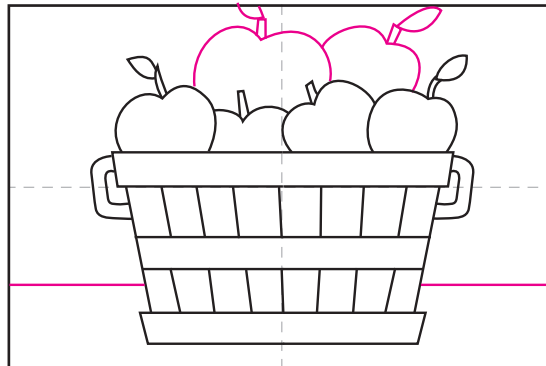
5. Draw two handles.



6. Draw two apples tucked in the sides.



7. Add smaller apples behind.

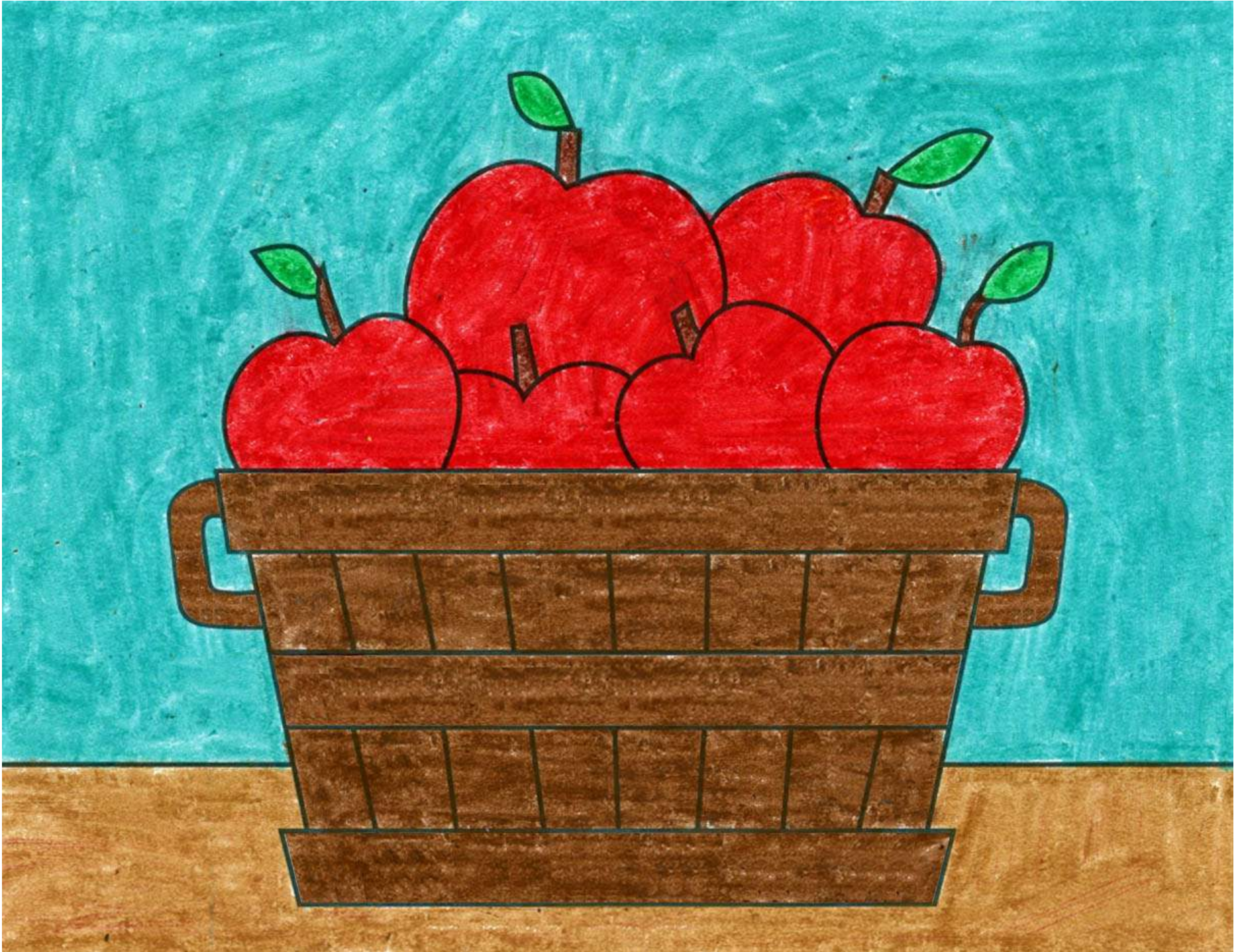


8. Finish with more apples in the back.

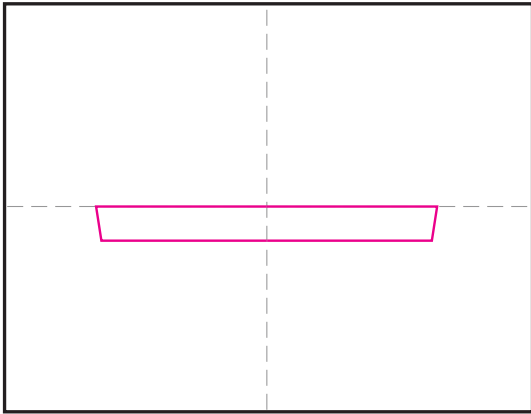


9. Trace with a marker and color.

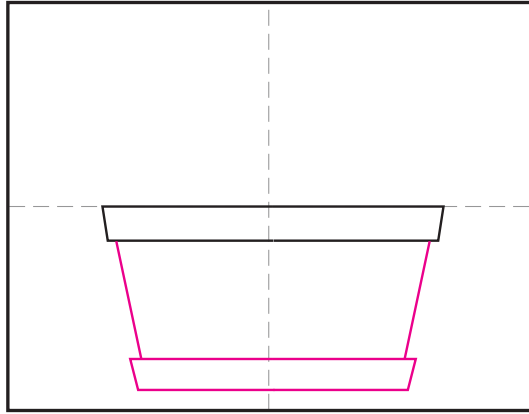
Apple



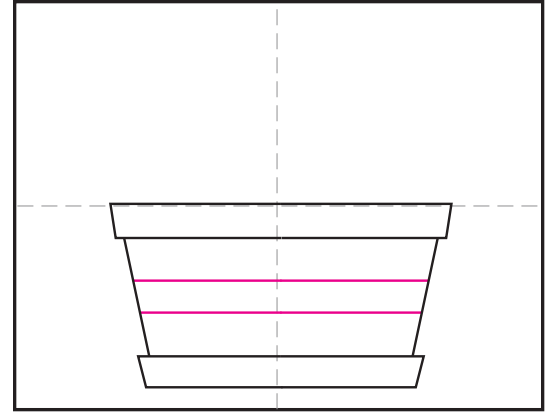
Draw a Bushel of Apples



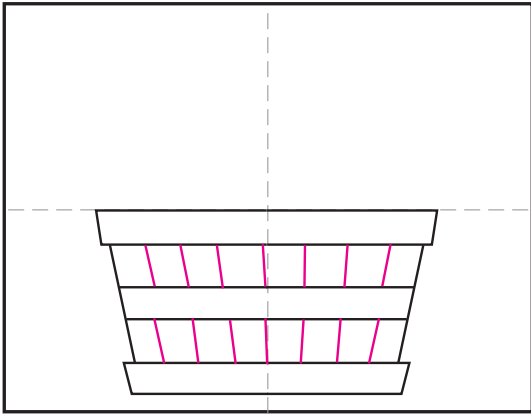
1. Draw a rectangle for the bushel rim.



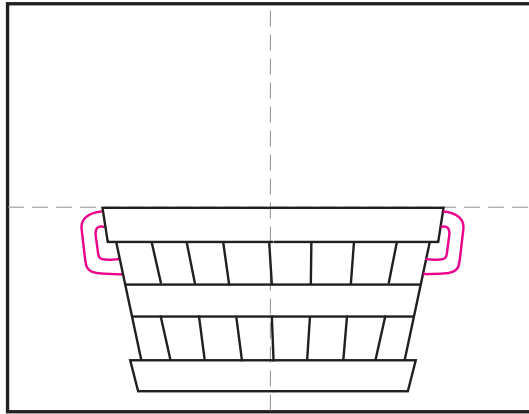
2. Add the base and the sides.



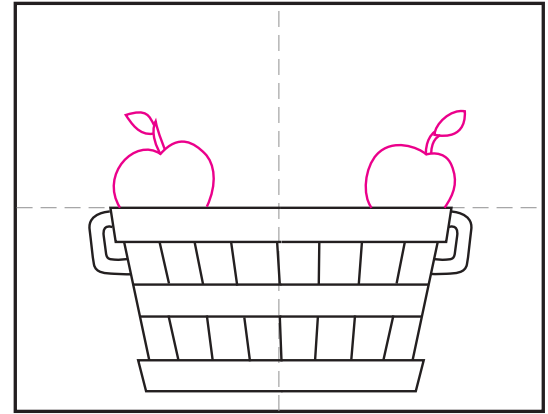
3. Draw a band in the middle.



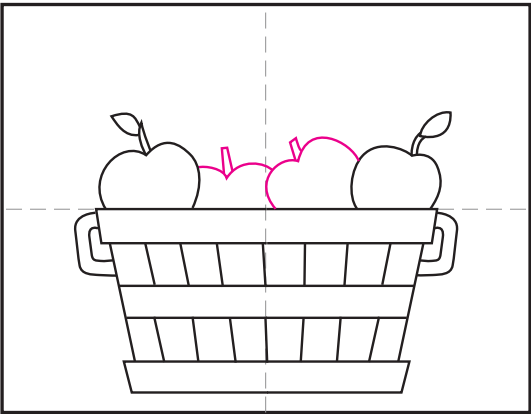
4. Add angled wood lines.



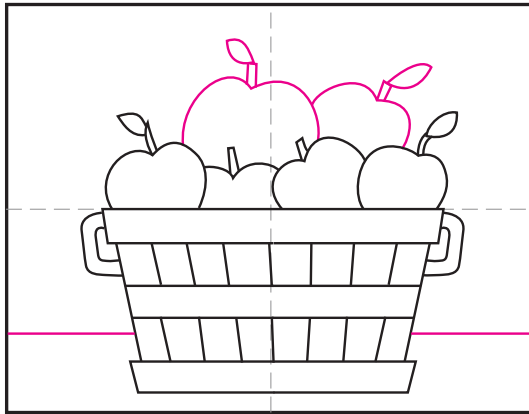
5. Draw two handles.



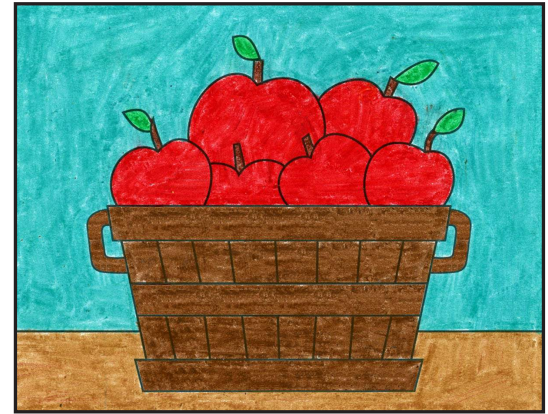
6. Draw two apples tucked in the sides.



7. Add smaller apples behind.



8. Finish with more apples in the back.



9. Trace with a marker and color.