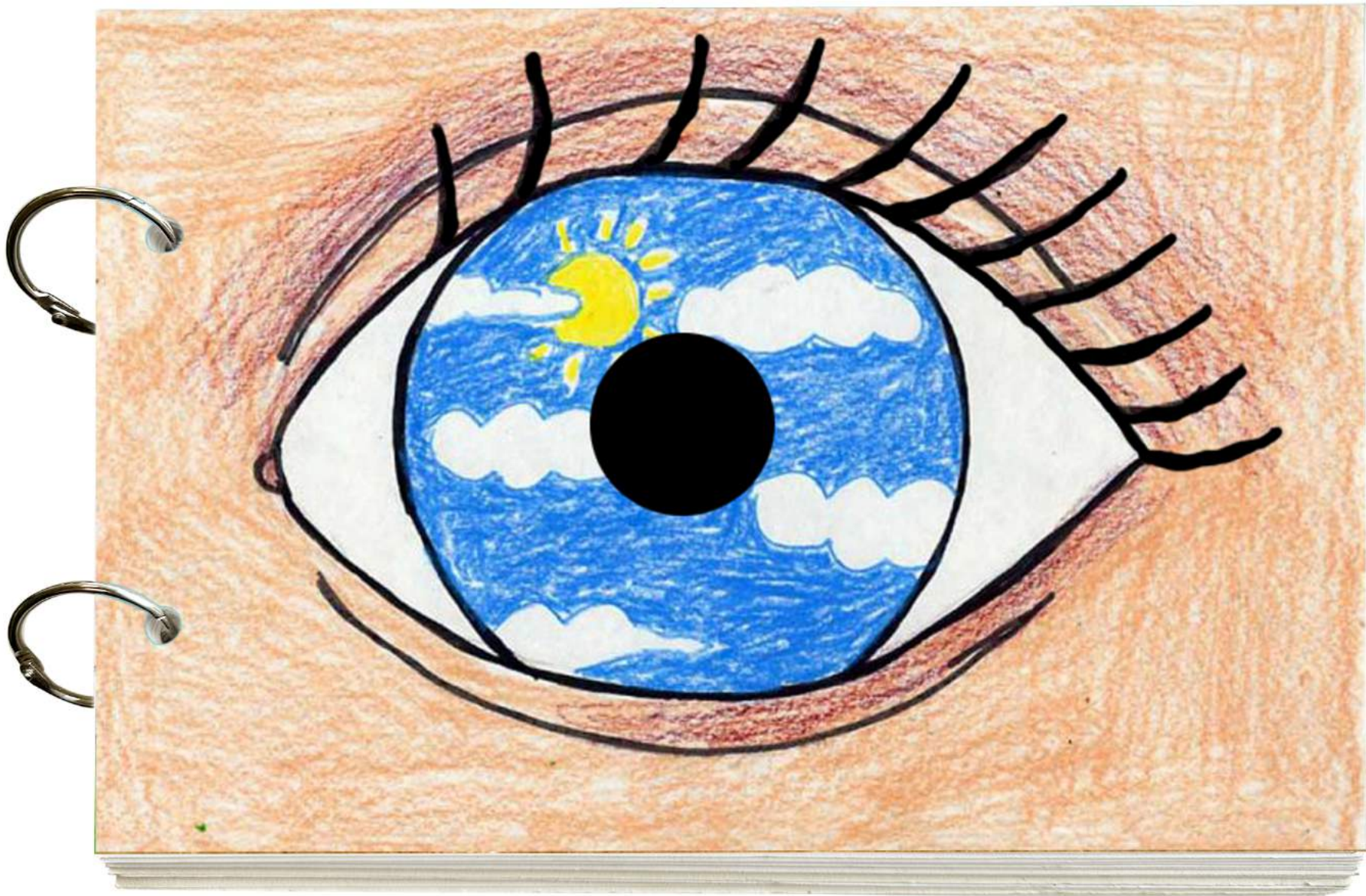
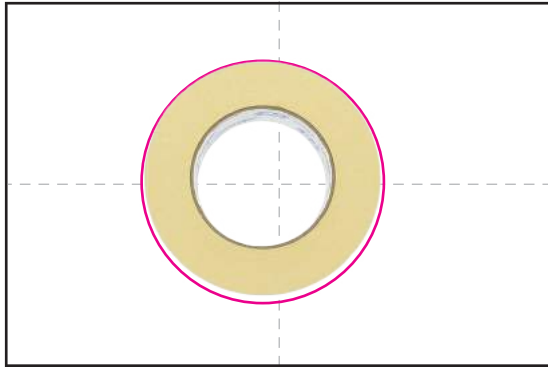


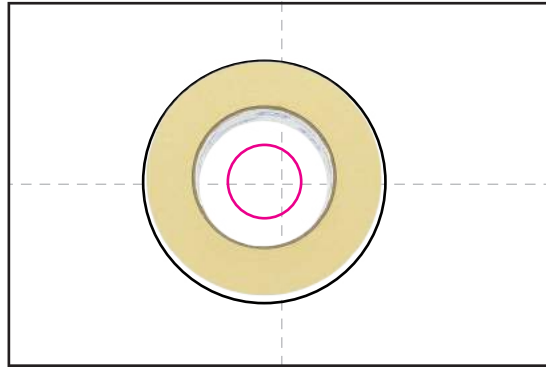
Art Journal Eye



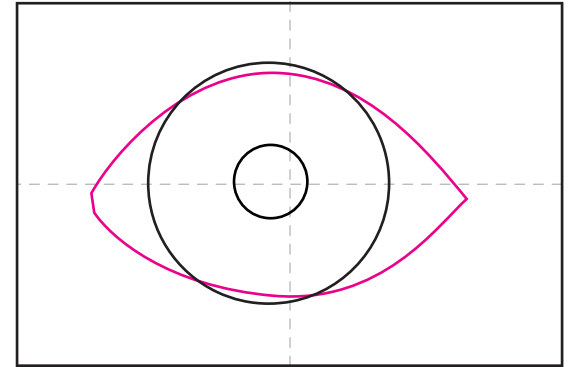
Art Journal Eye Tutorial



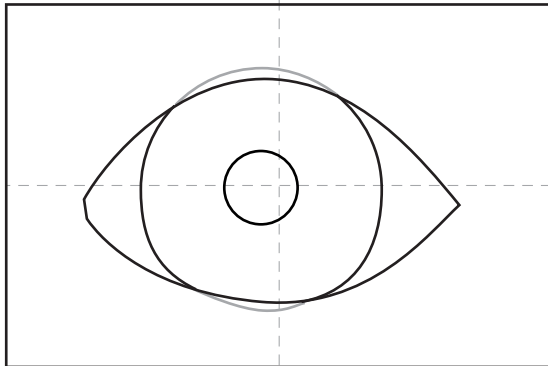
1. Trace something about 5" round.



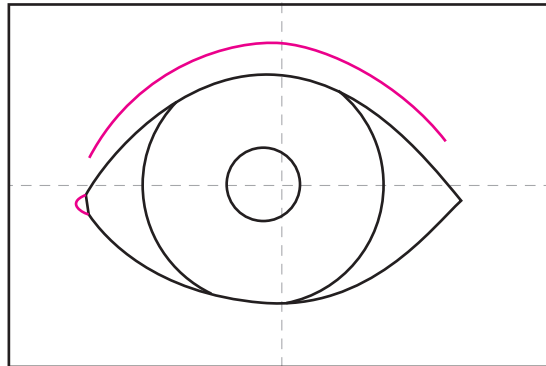
2. Use the shape to help draw a pupil inside.



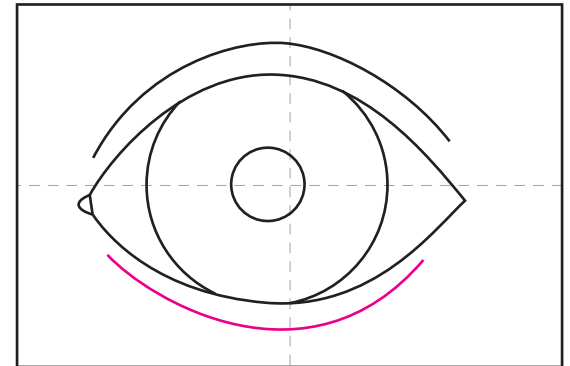
3. Draw a large eye shape over the circle. The cropping will make the eye look relaxed.



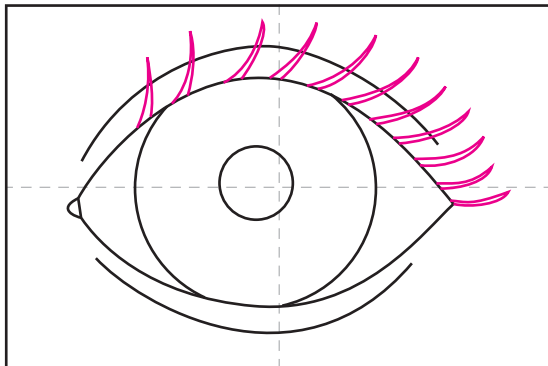
4. Erase the outside circle lines.



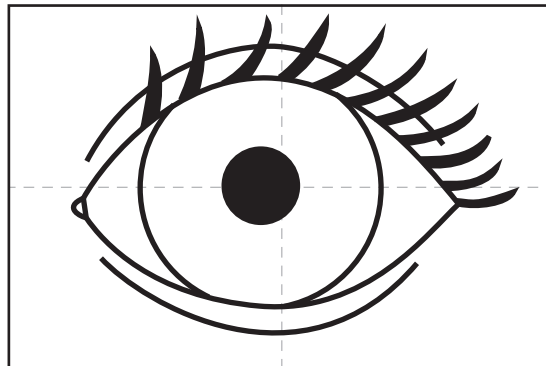
5. Draw a tear duct and top eye lid edge.



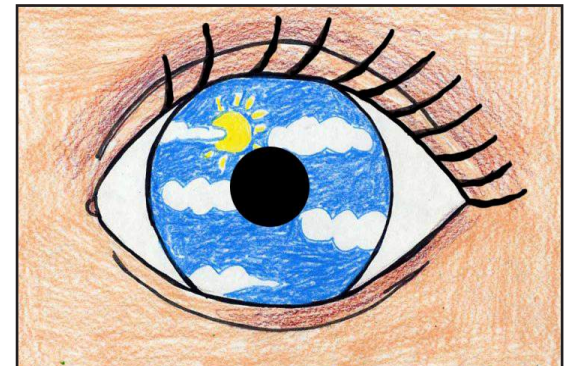
6. Add a bottom eye lid edge.



7. Add eyelashes as you wish.

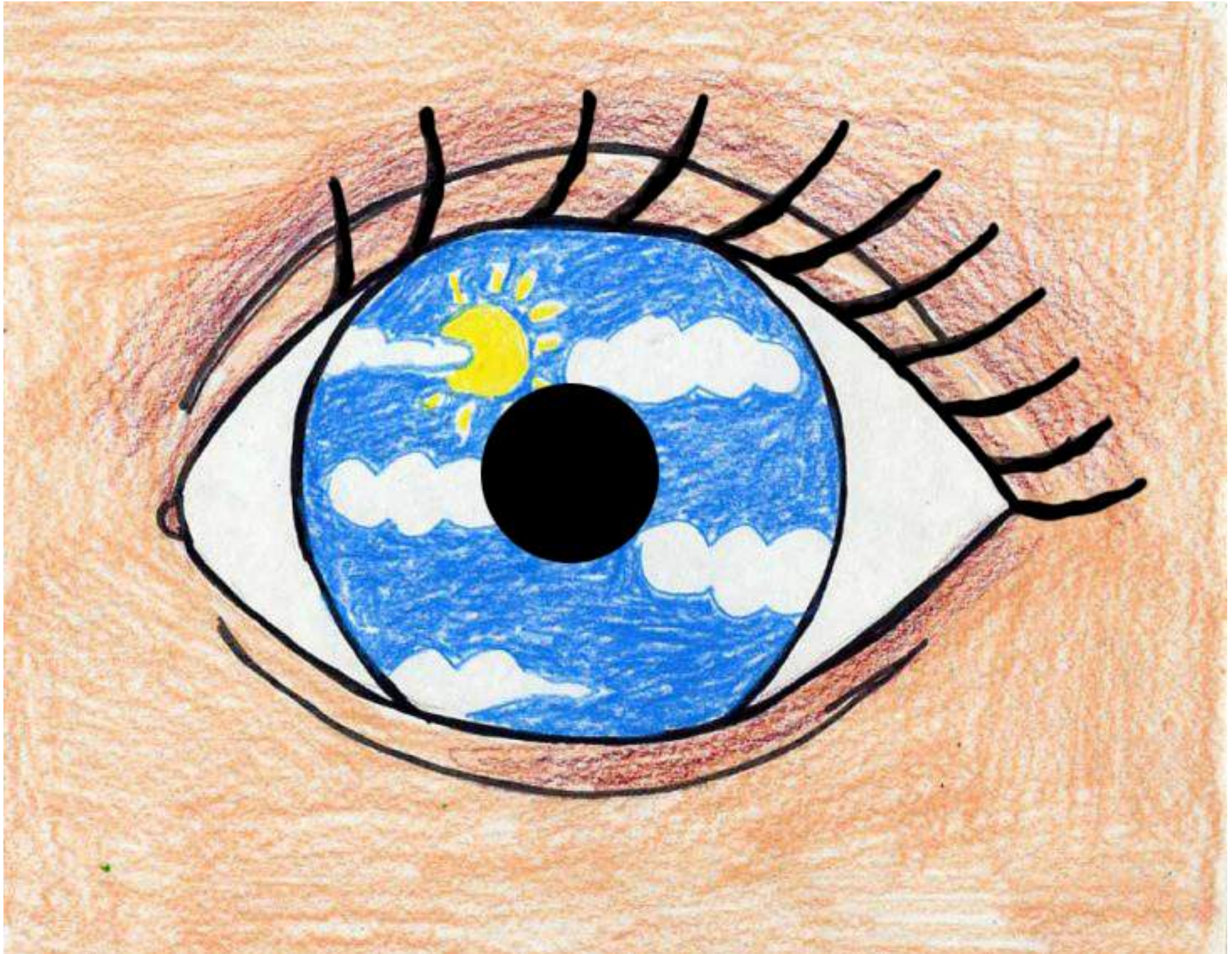


8. Fill in lashes and pupil with black marker.

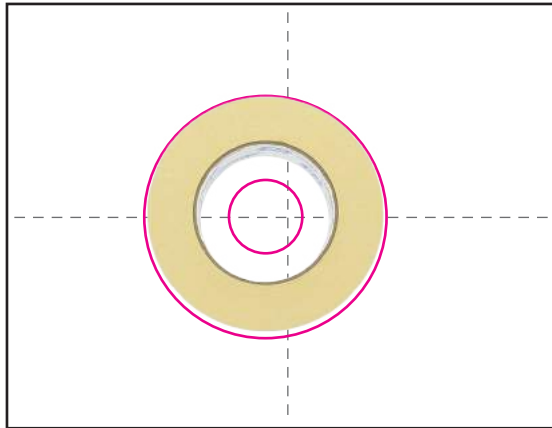


9. Complete eye with something you see.

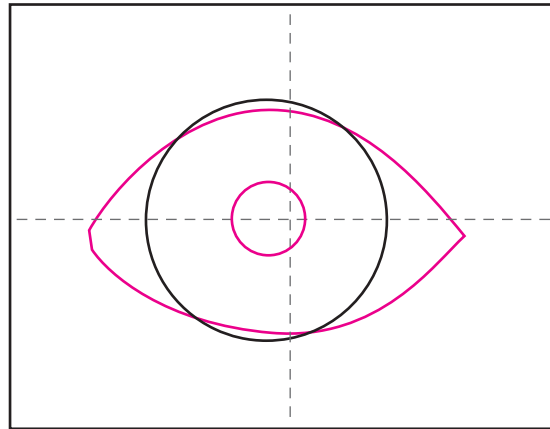
How to Draw an Eye



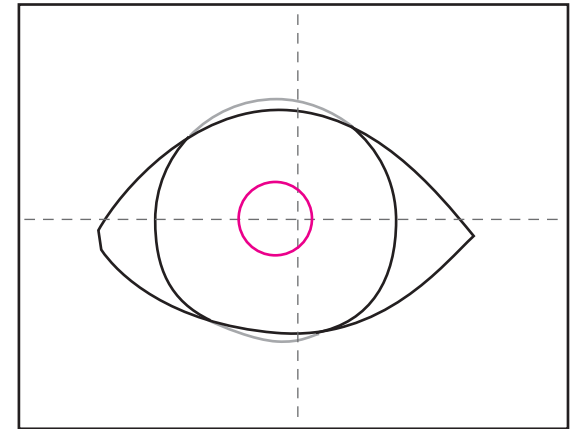
How to Draw an Eye



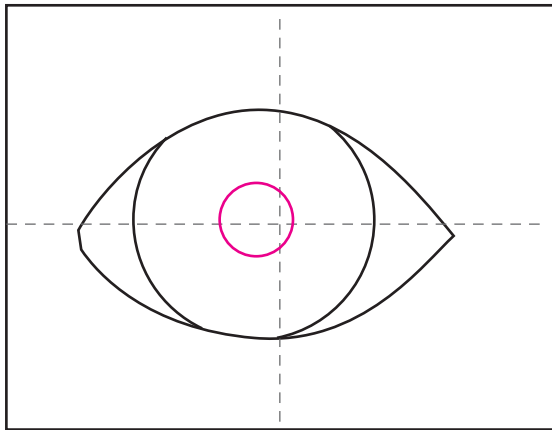
1. Trace something round. Add circle inside.



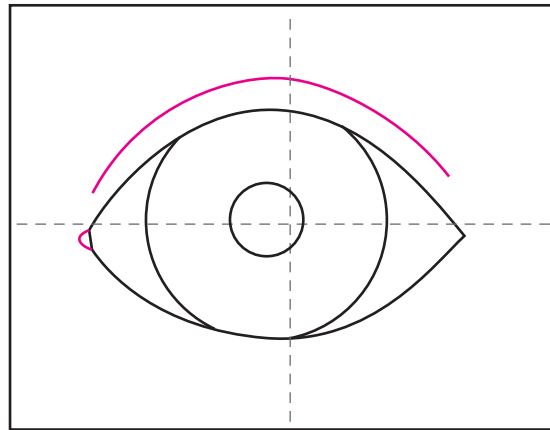
2. Draw a large eye, that crops the circle a bit.



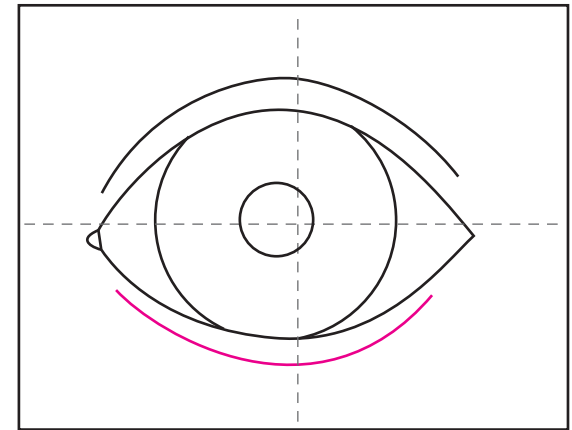
3. Erase the circle lines outside the eye.



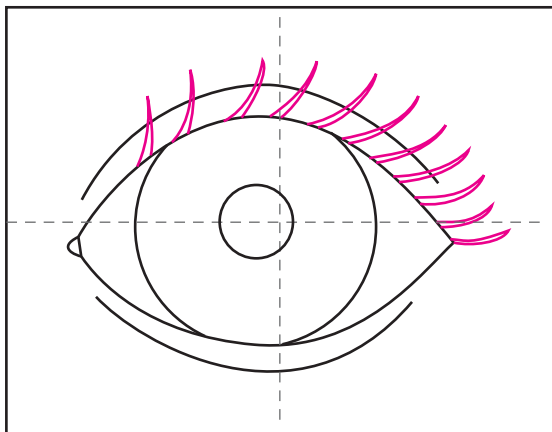
4. Use center circle to draw a larger pupil.



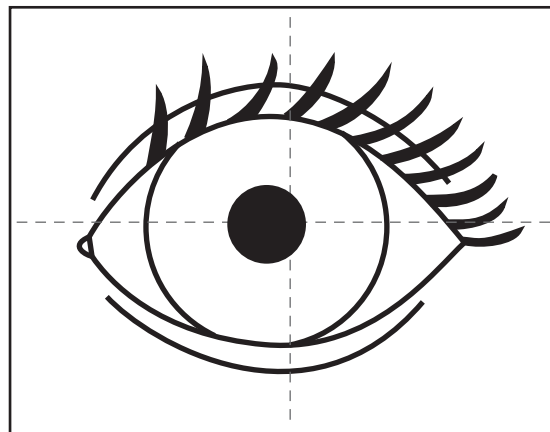
5. Draw tear duct and top eye lid edge.



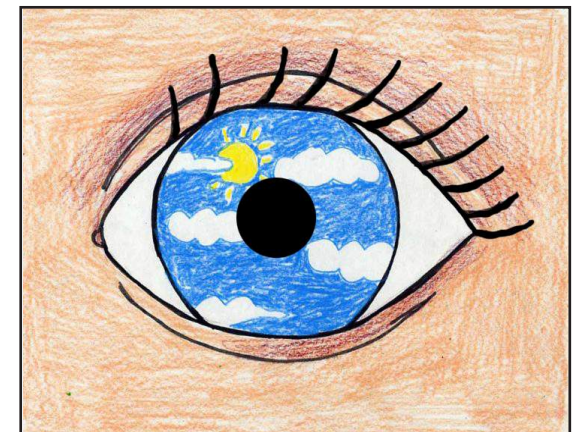
6. Draw the bottom eye lid edge.



7. Add eyelashes.



8. Fill in lashes and pupil with black marker.



9. Complete eye with something you see.