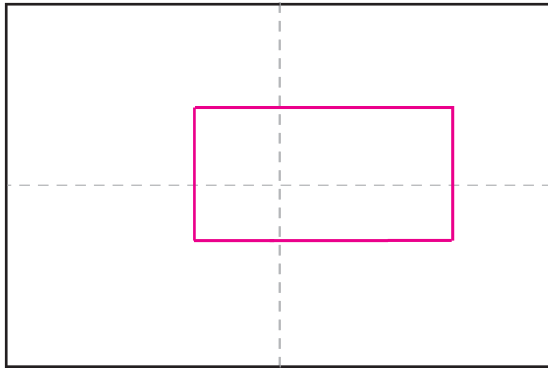


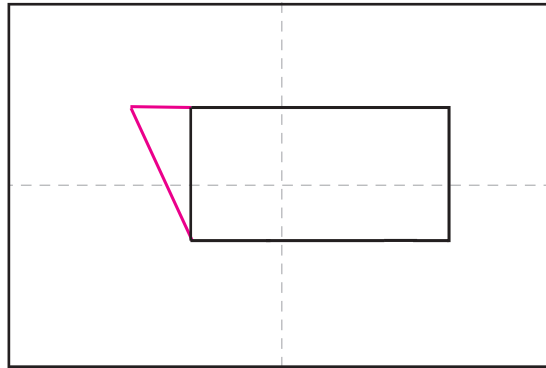
Art Journal Easy Cow



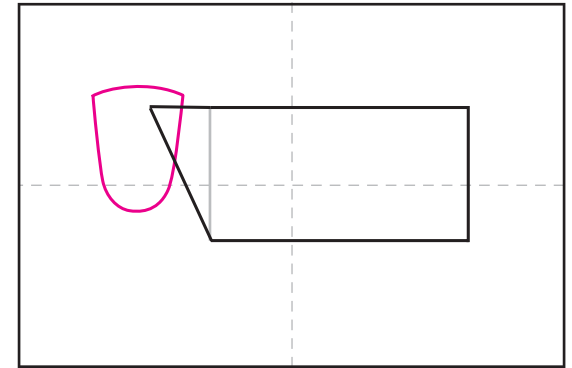
Art Journal Easy Cow Tutorial



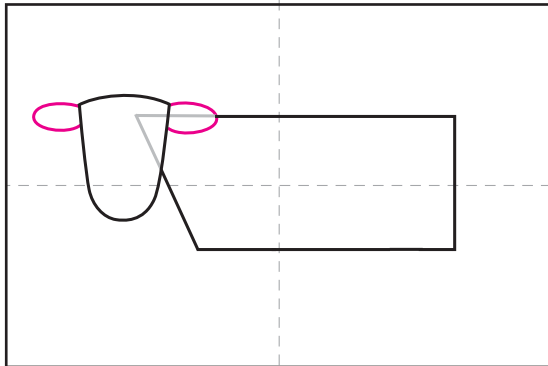
1. Draw a large rectangle.



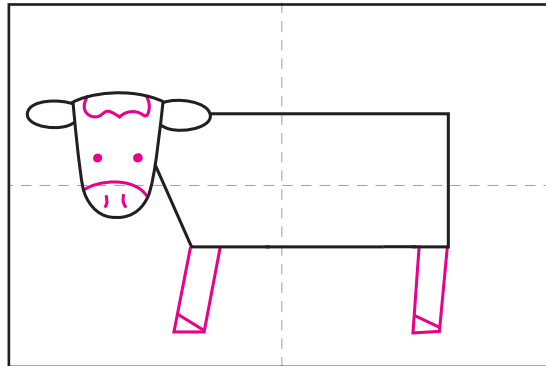
2. Add a triangle shape on the left side.



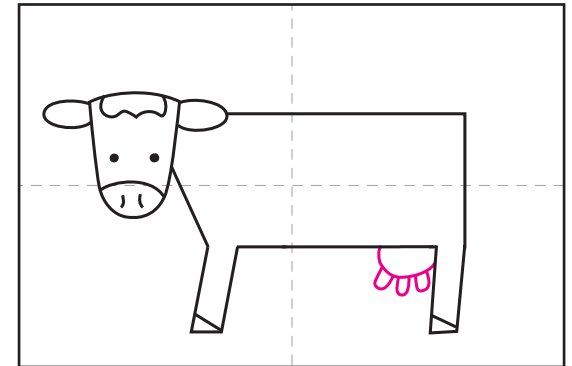
3. Erase the gray line. Draw a U shaped head.



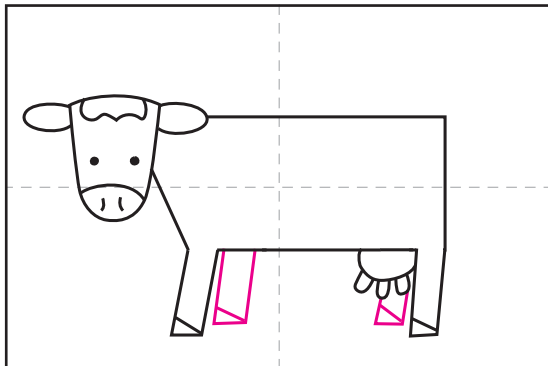
4. Erase the gray line. Add two ears.



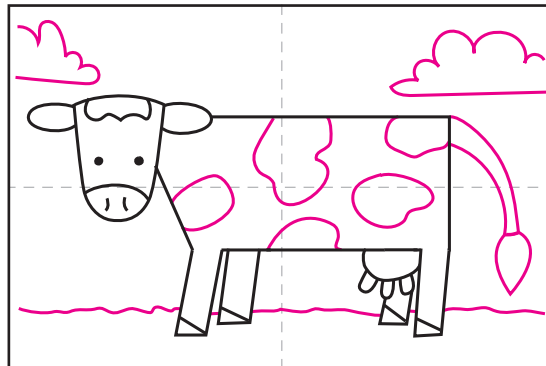
5. Fill in the face and draw two legs.



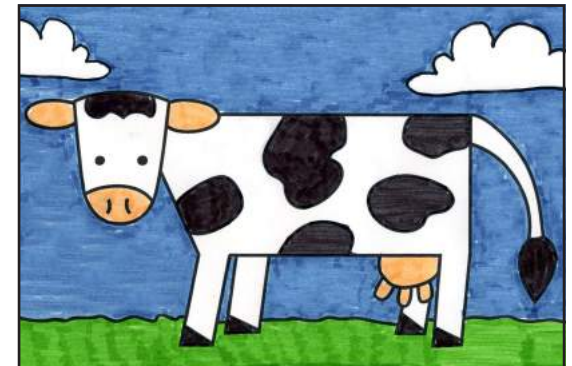
6. Draw an udder.



7. Draw two more legs in the back.



8. Draw a tail, spots, grass line and clouds.

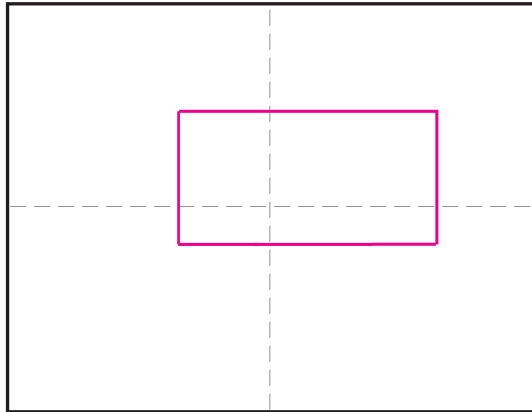


9. Trace with a marker and color.

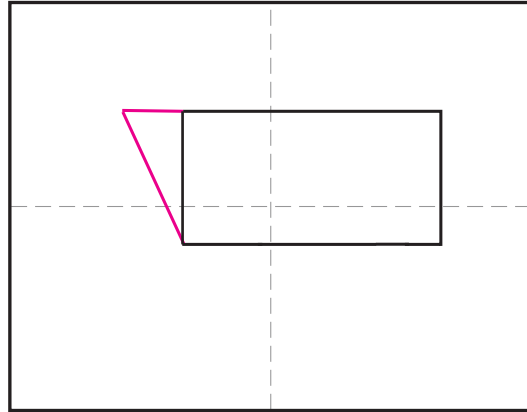
Easy Cow



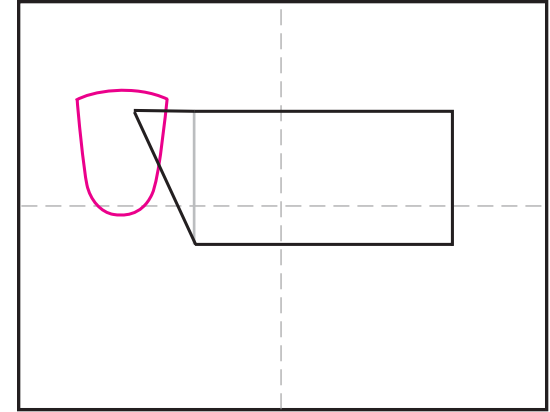
How to Draw an Easy Cow



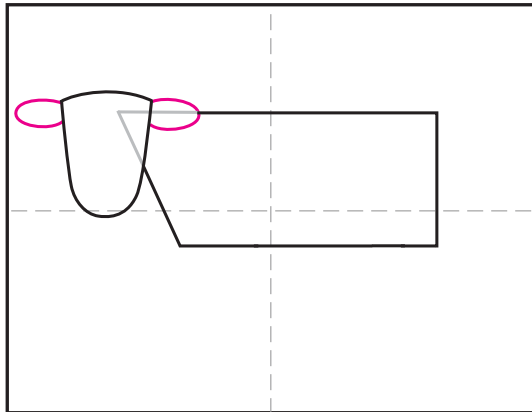
1. Draw a large rectangle.



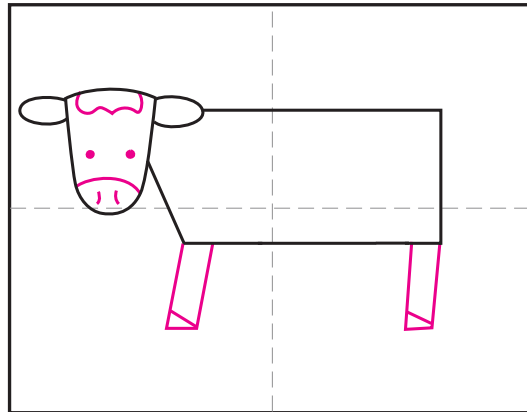
2. Add a triangle shape on the left side.



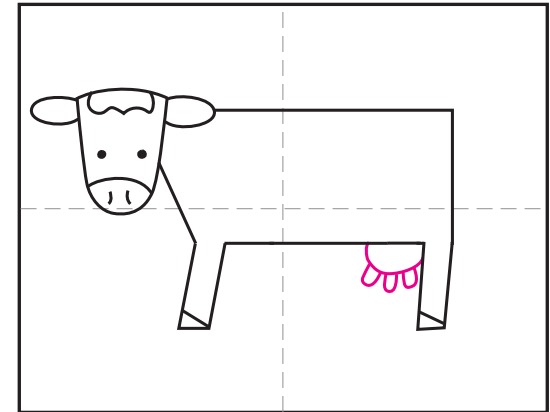
3. Erase the gray line. Draw a U shaped head.



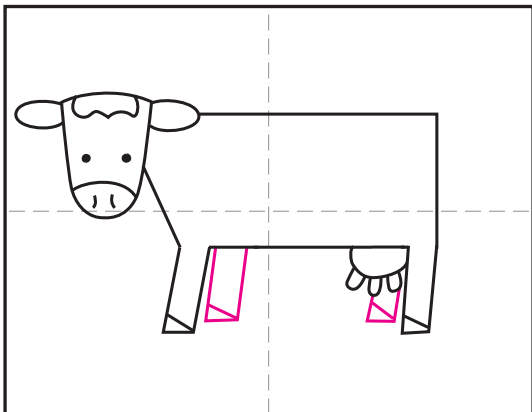
4. Erase the gray line. Add two ears.



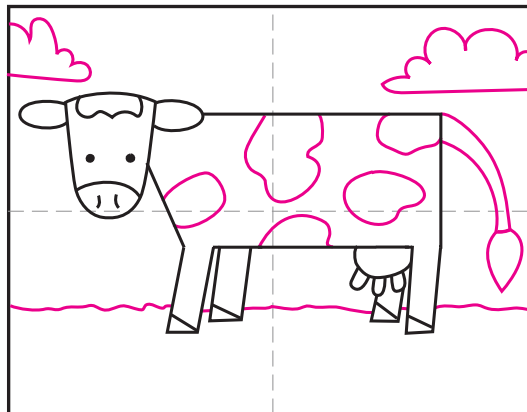
5. Fill in the face and draw two legs.



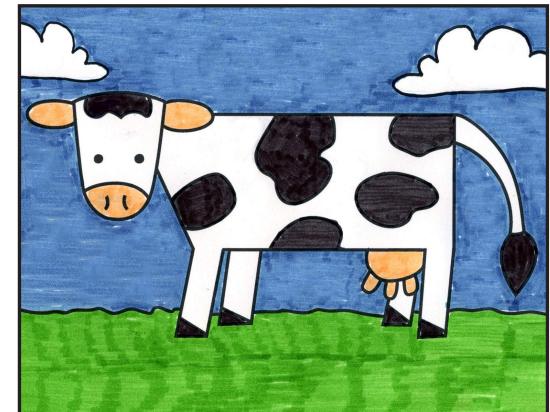
6. Draw an udder.



7. Draw two more legs in the back.



8. Draw a tail, spots, grass line and clouds.



9. Trace with a marker and color.