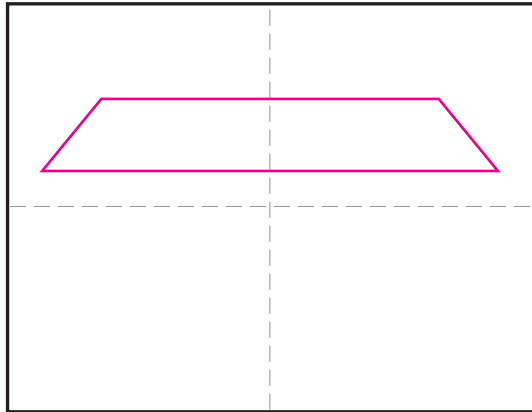
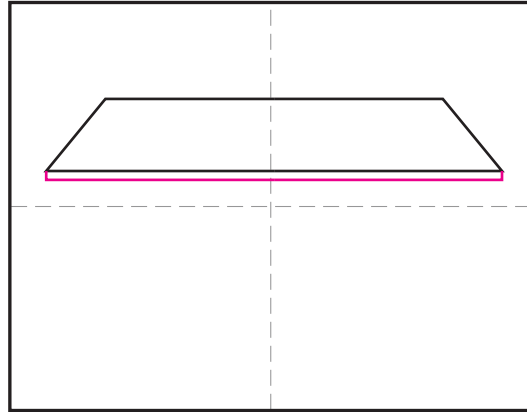


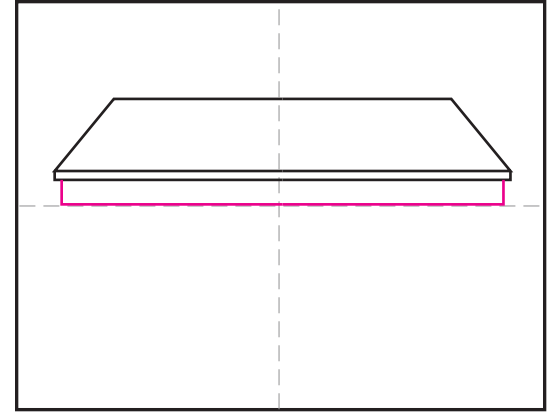
Table Tutorial



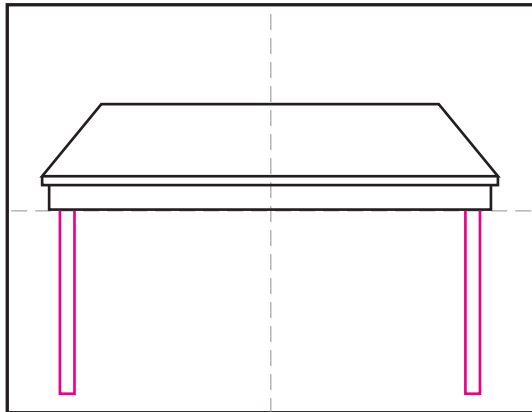
1. Draw a large trapezoid centered on the paper.



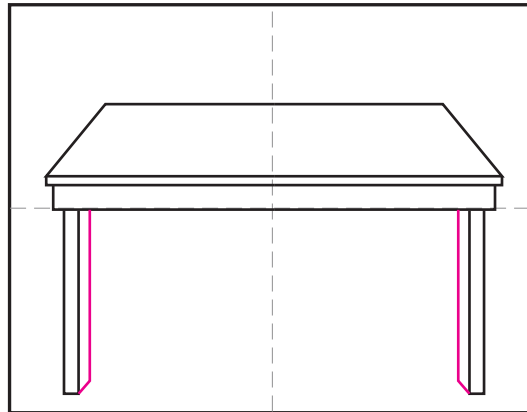
2. Add a parallel line below to make a table edge.



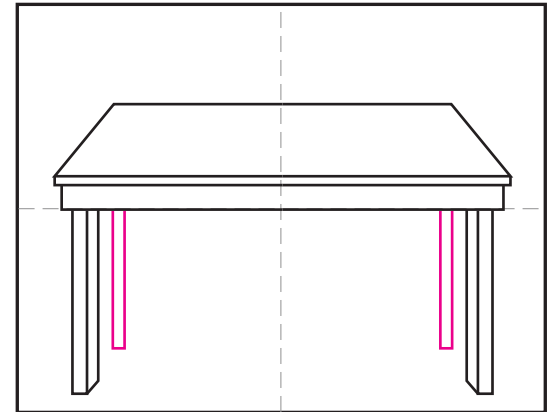
3. Draw a wide rectangle below for the base.



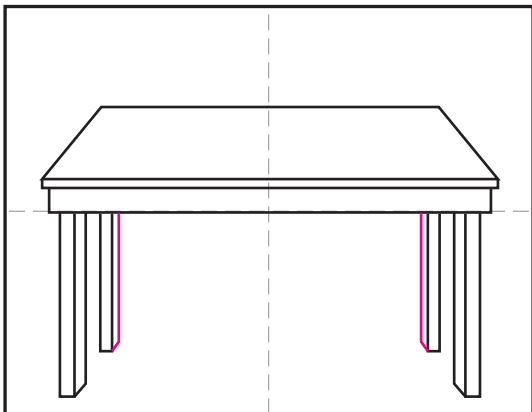
4. Add two skinny rectangles to make the front legs.



5. Add sides to the inside of the front legs.



6. Draw two skinny rectangles for the back legs.



7. Add inside sides to the back legs.



8. Trace the table and color with a marker.



9. Color the sides again to make a shadow.

Table

