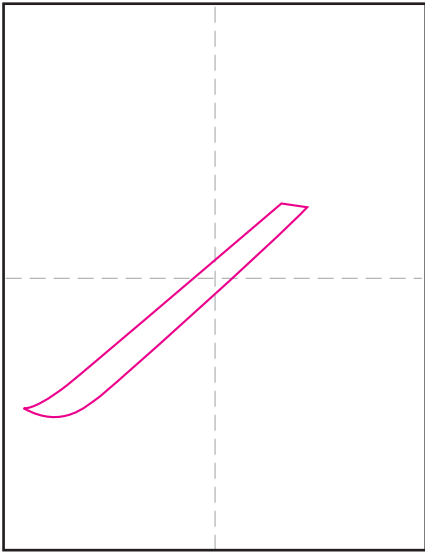
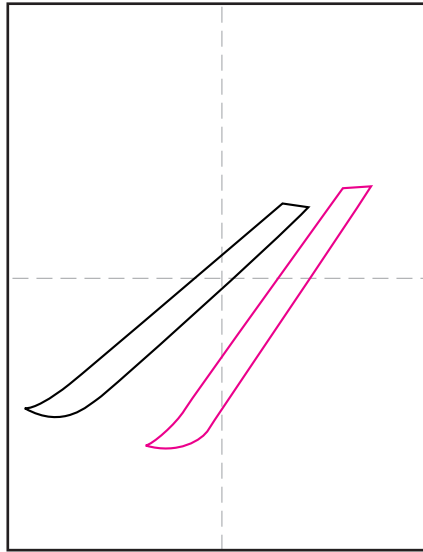


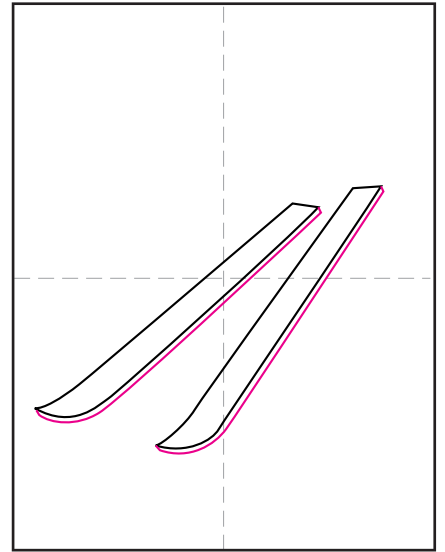
# How to Draw Skis



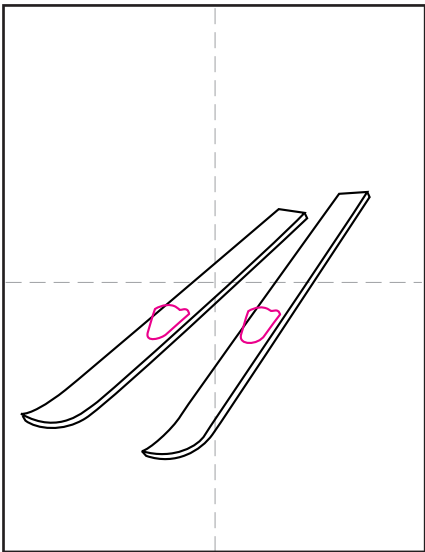
1. Draw one long ski shape.



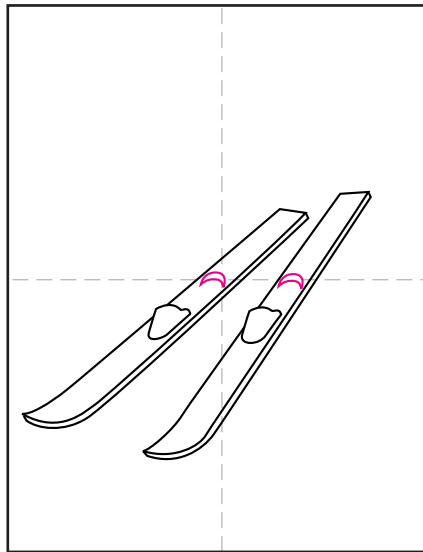
2. Add another one.



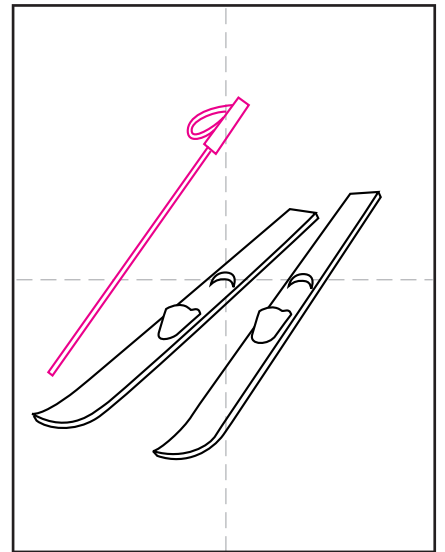
3. Draw an edge on the bottom of both.



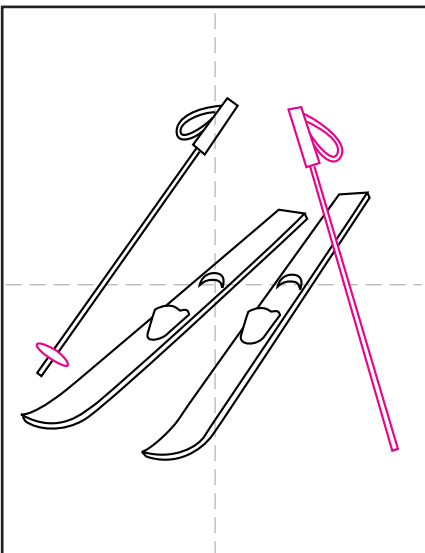
4. Draw two shoe holders.



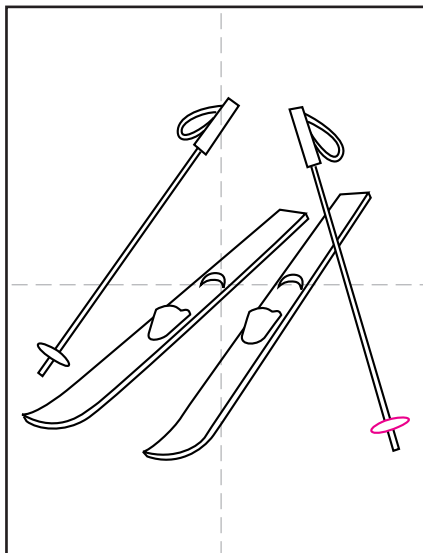
5. Add a back shoe holder shape.



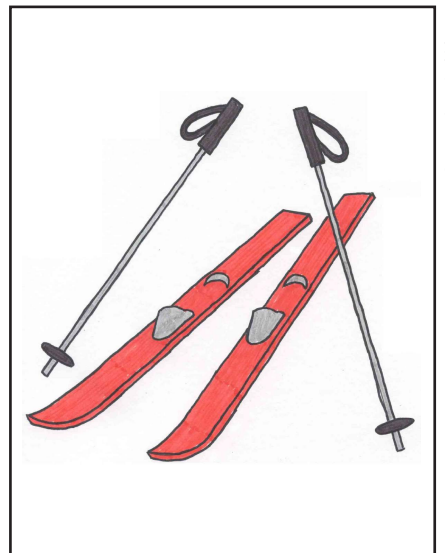
6. Draw a pole with a handle.



7. Add an oval and start another pole.



8. Finish with an oval near the bottom.



9. Trace with a marker and color.

# Skis

