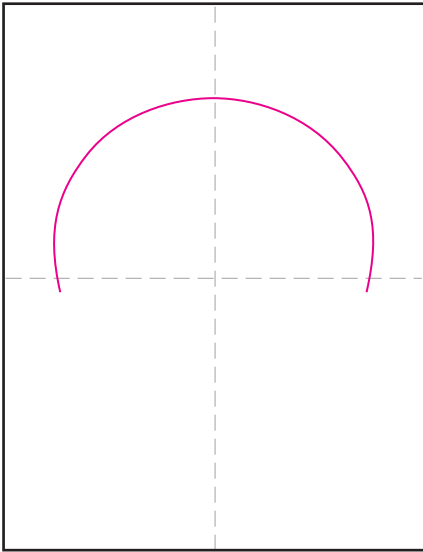
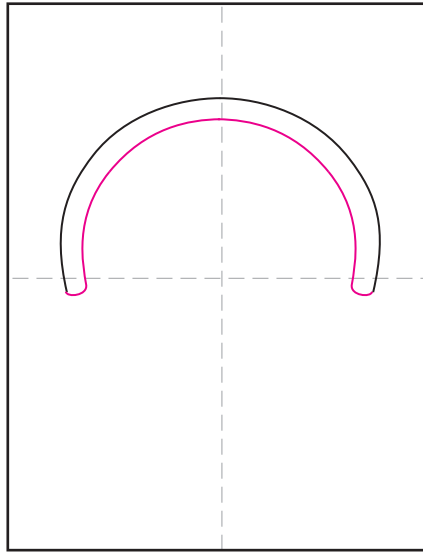


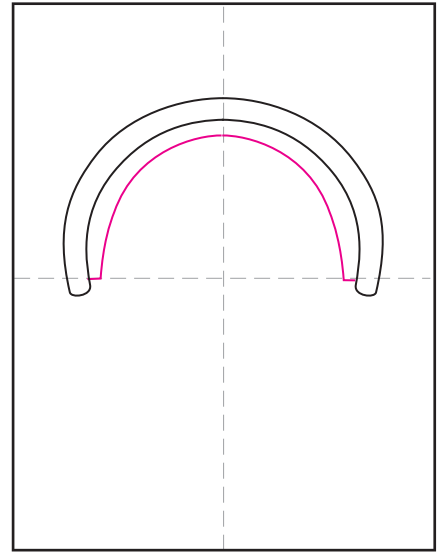
# How to Draw Headphones



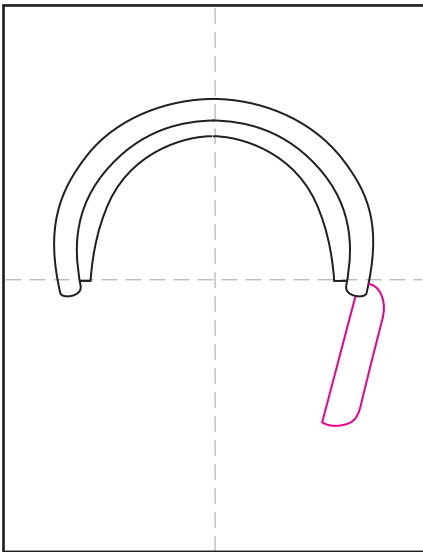
1. Draw a wide upside down curve.



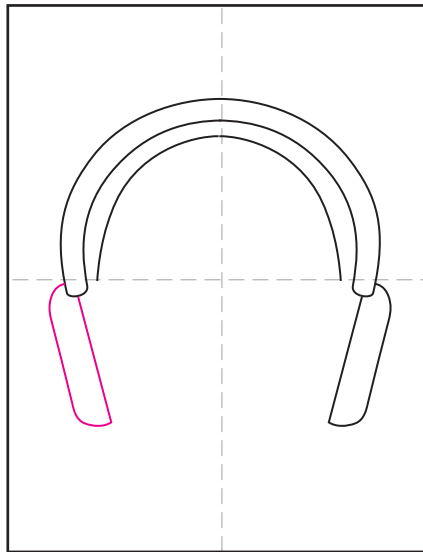
2. Make another smaller curve inside.



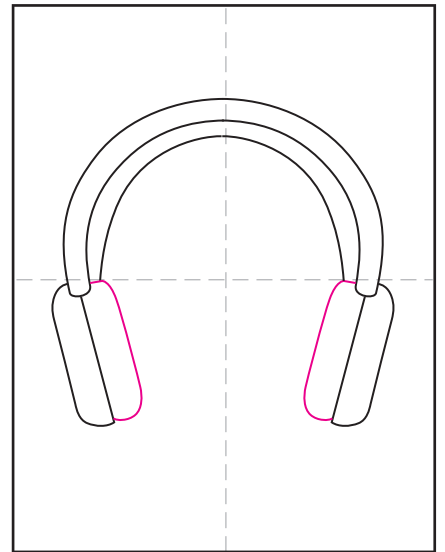
3. Draw a smaller curve inside.



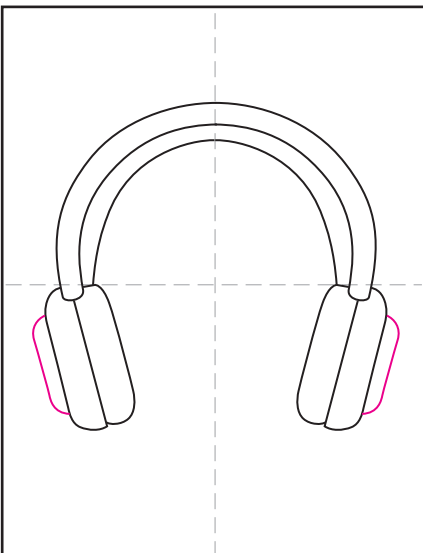
4. Start the earpiece on the right.



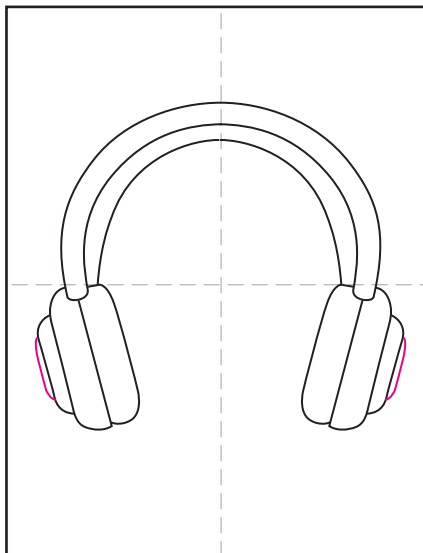
5. Draw a matching shape on the left.



6. Add matching inside shapes.



7. Draw cap shapes on the outside.



8. Finish with even smaller cap shapes.



9. Trace with a marker and color.

# Headphones

