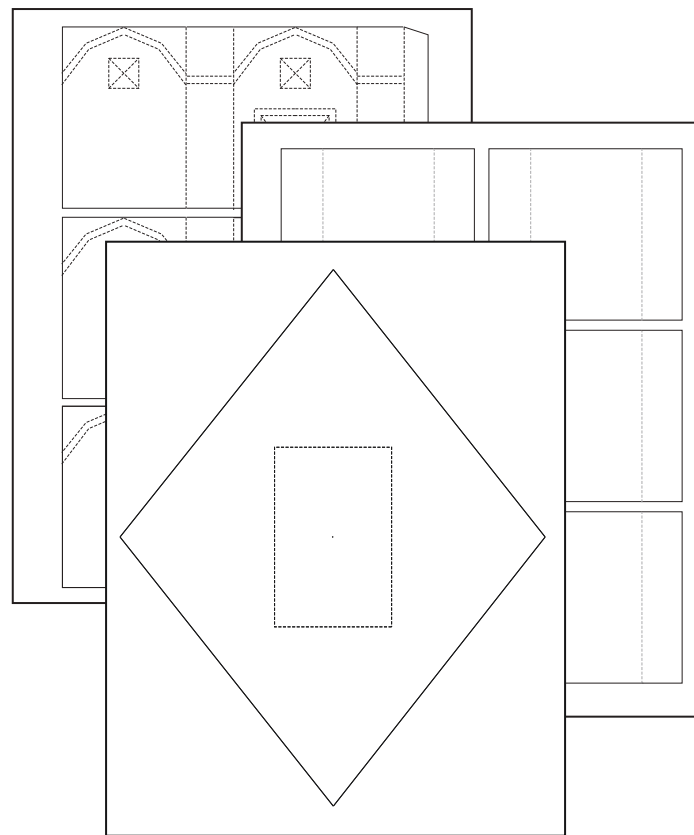
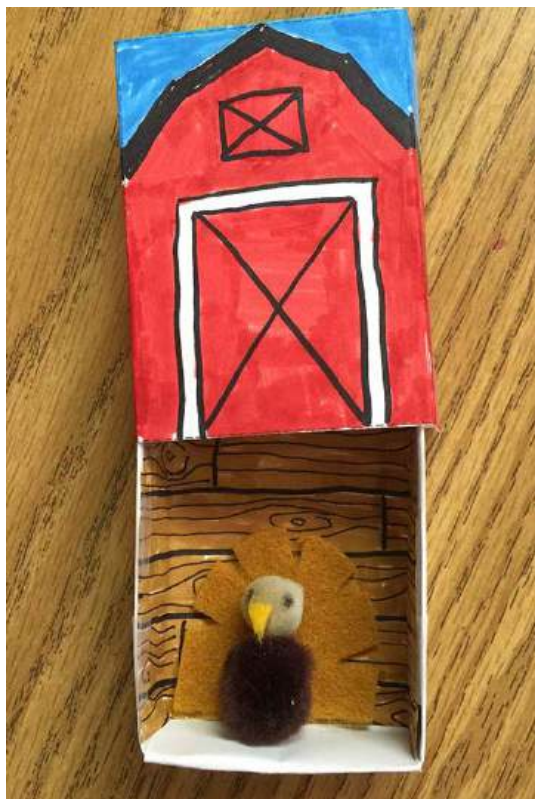
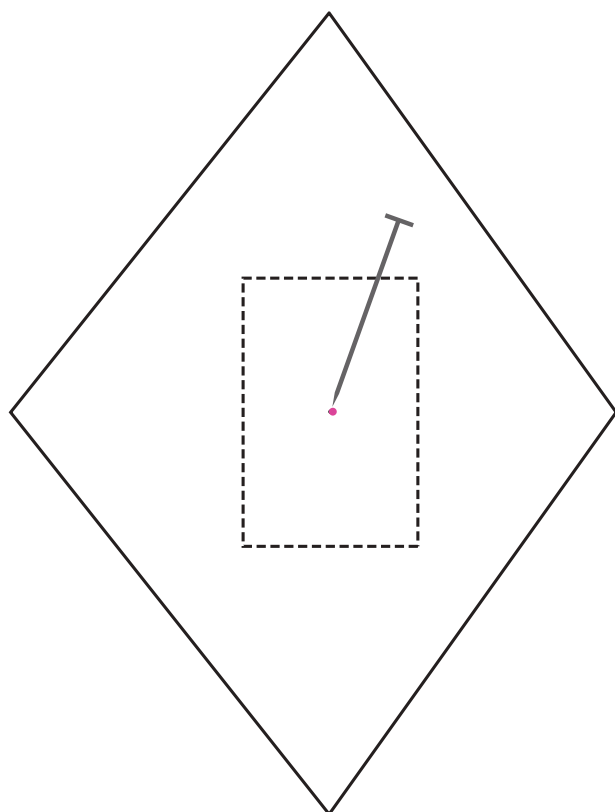


Matchbox for a Turkey

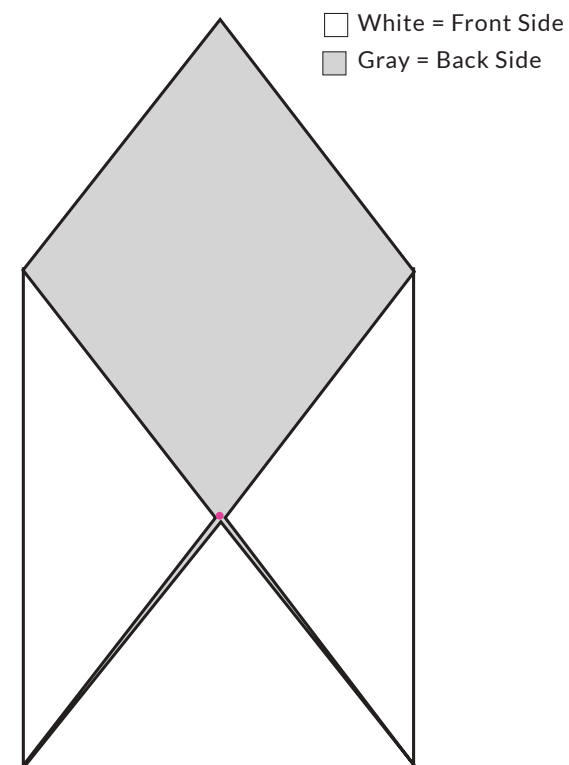
by Art Projects for Kids



1. Print all three pages of the template and cut each out, a paper cutter works best.



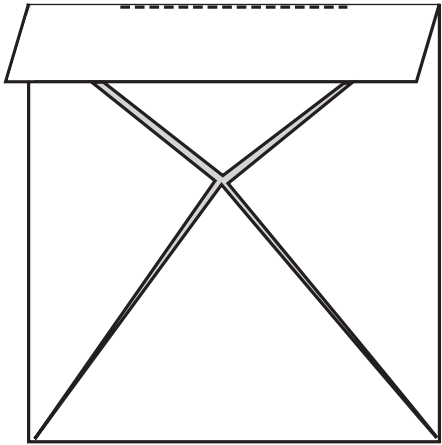
2. Matchbox Tray: Poke hole in center dot to transfer to the other side.



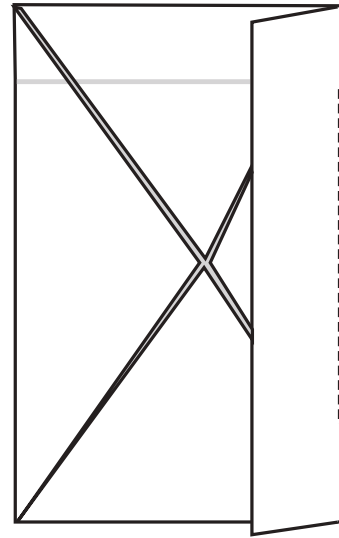
3. Flip over, fold corners to touch center dot, crease so they lie flat.

Matchbox for a Turkey

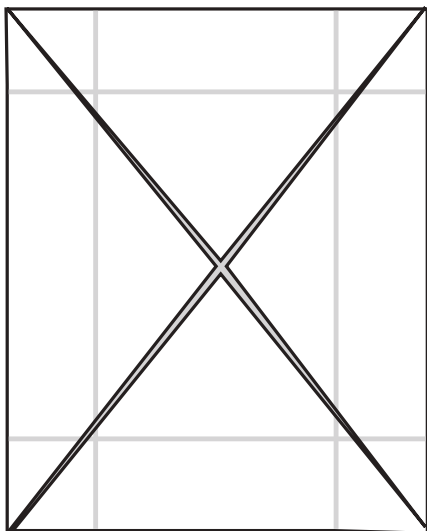
page 2



4. Flip over and fold on dashed line, crease and unfold.

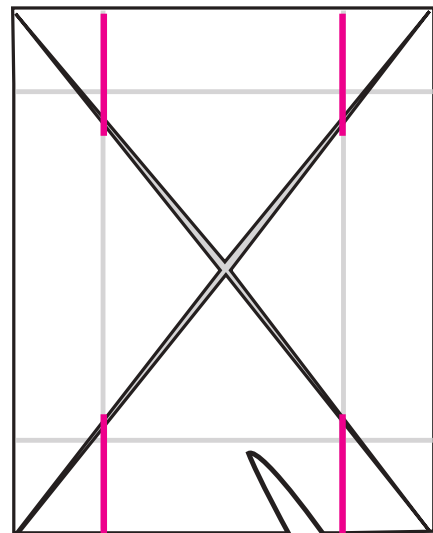


5. Fold side on dashed line, crease and unfold.



6. Repeat folding until all four sides are creased.

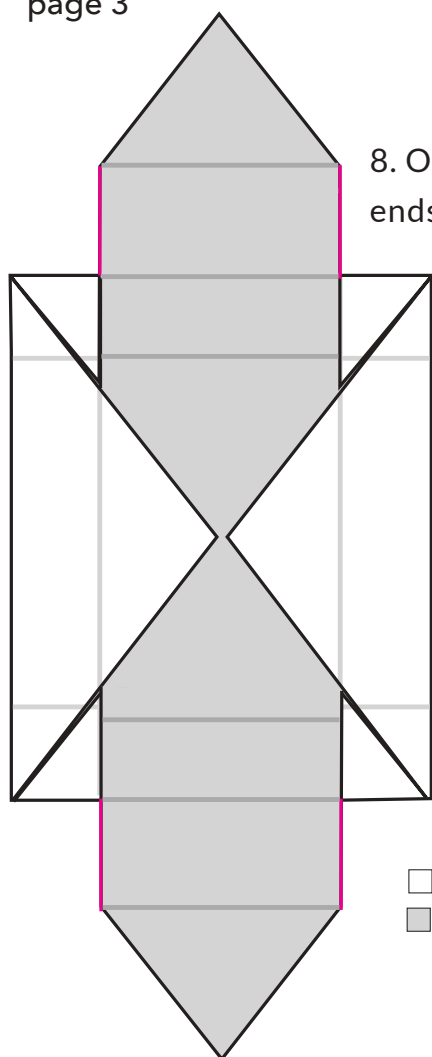
White = Front Side
 Gray = Back Side



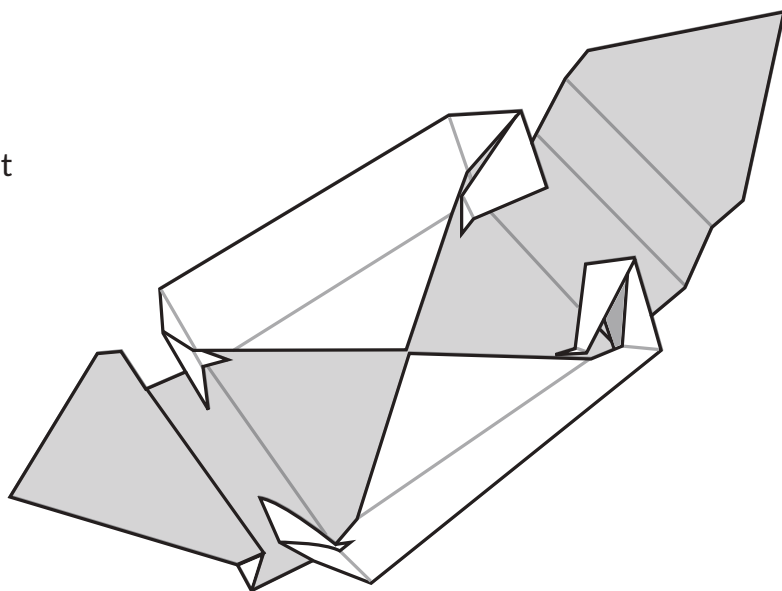
7. Use scissors to cut on creases as shown with the pink lines.

Matchbox for a Turkey

page 3

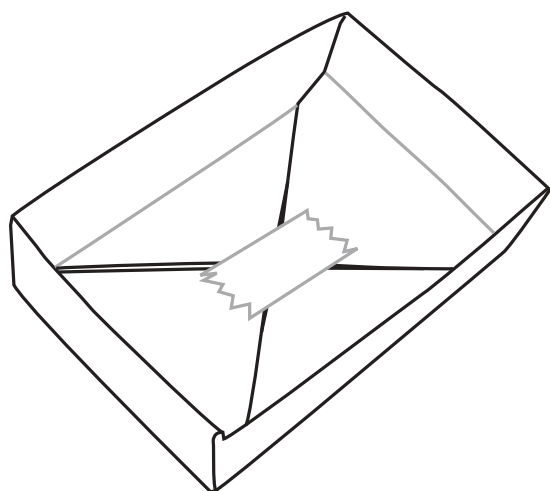


8. Open up short ends as shown.

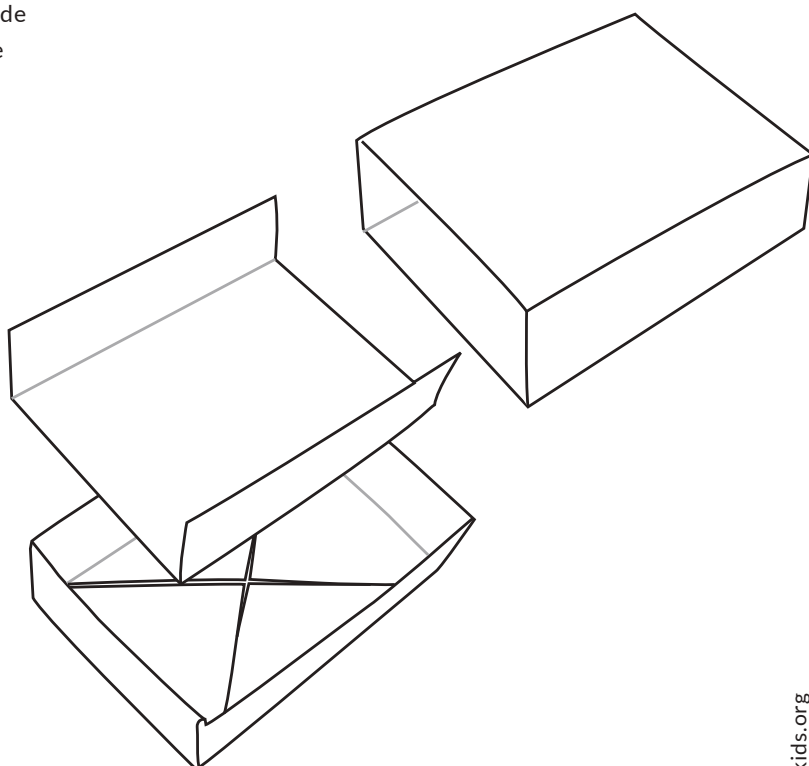


9. Wrap short ends up and over as shown

□ White = Front Side
■ Gray = Back Side

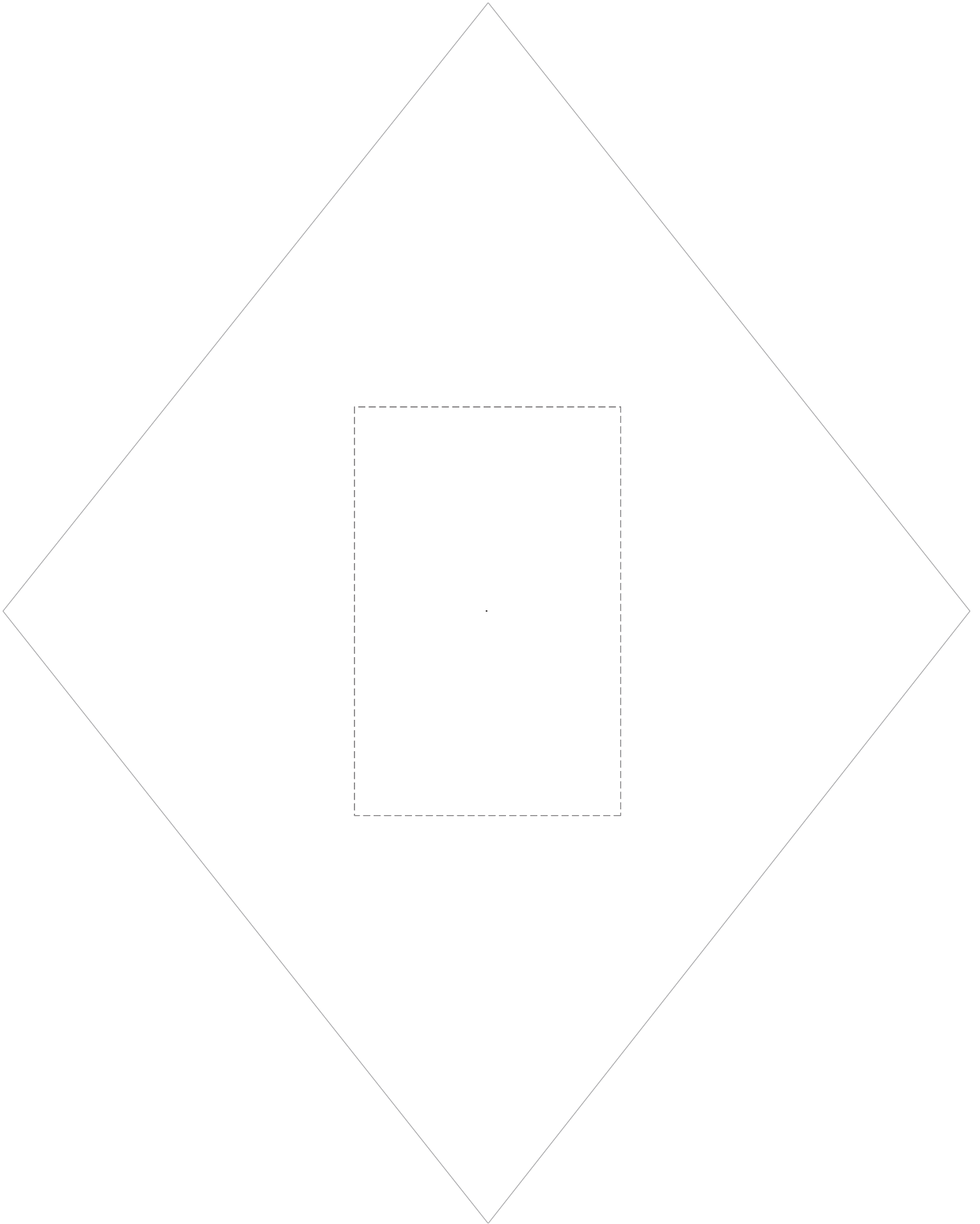


10. Tape or glue stick corners down so they stay in place.

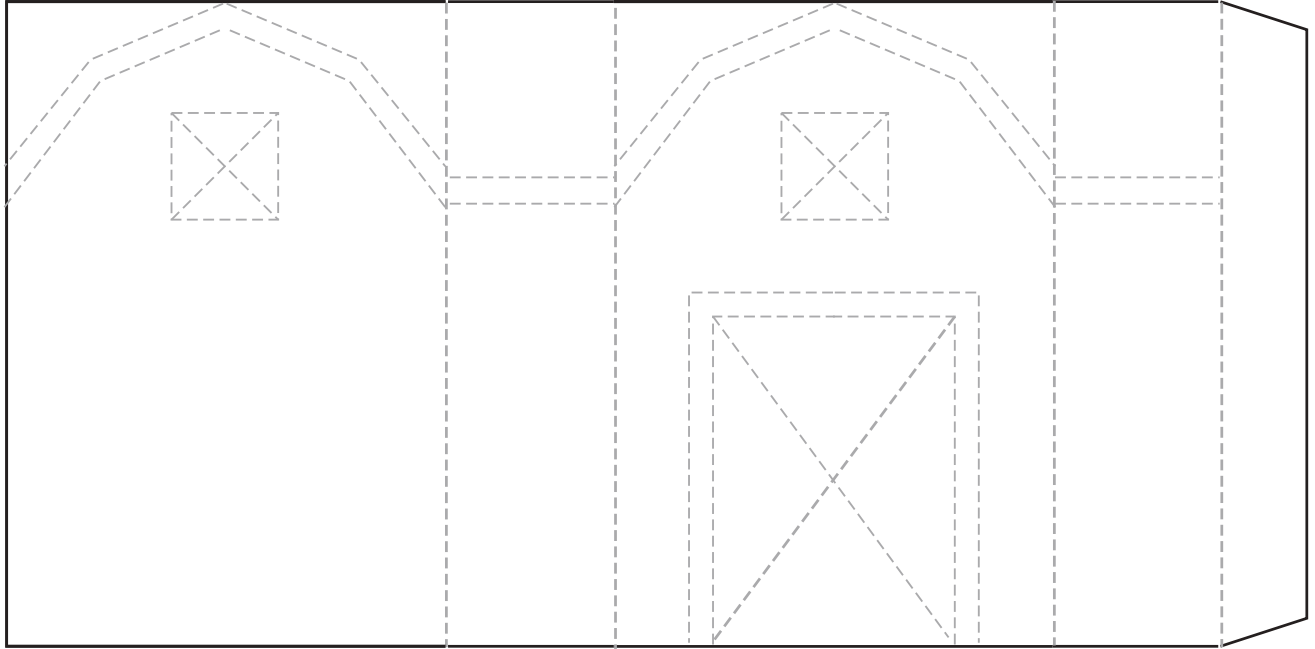
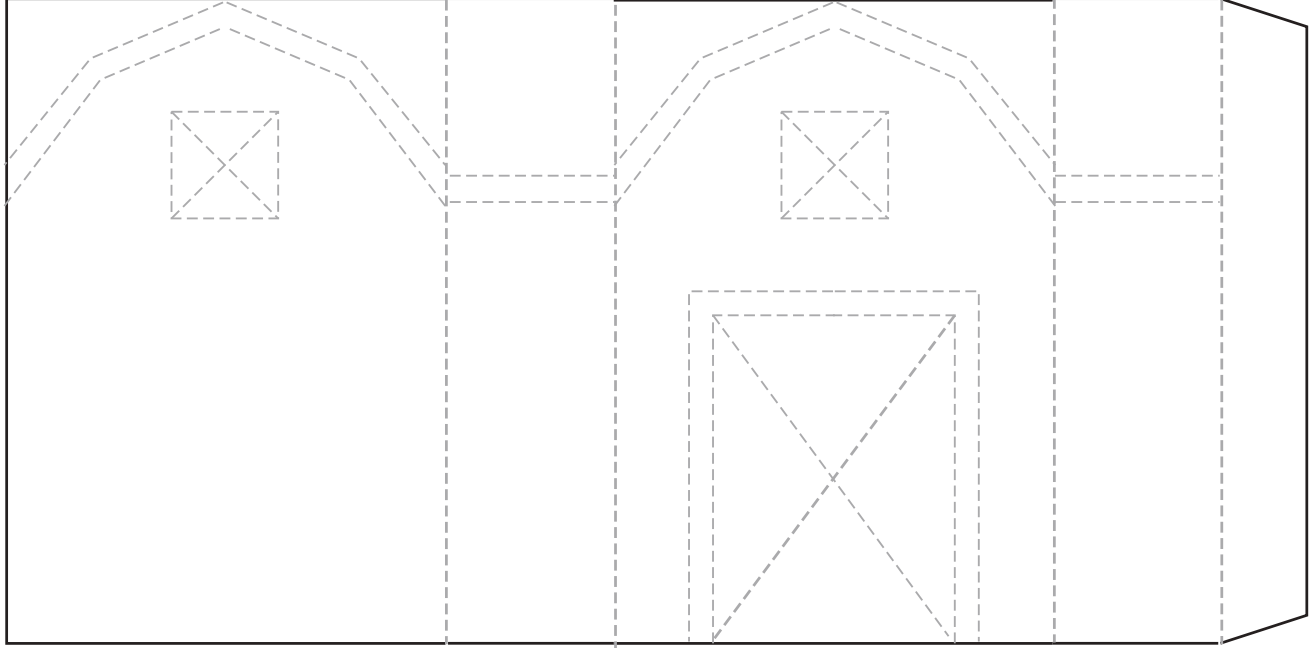
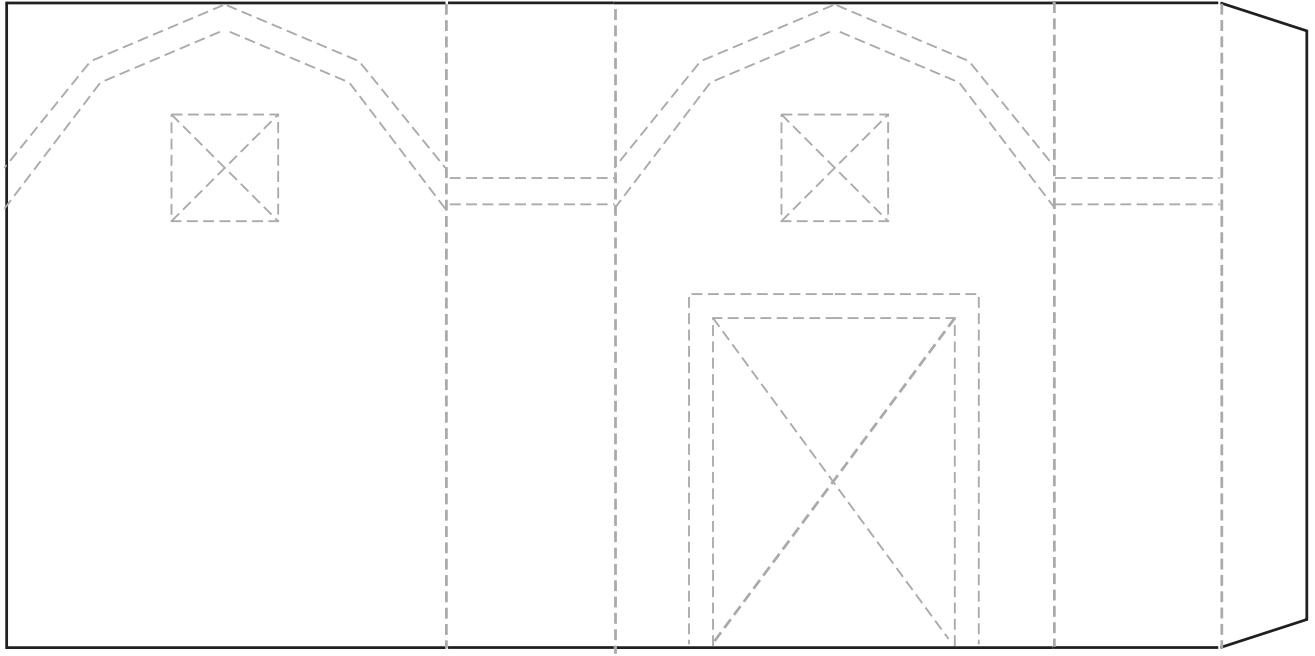


11. Insert is placed inside tray to create a smooth interior of the box. Color the sleeve, fold and glue the edges and slide tray inside.

Matchbox Tray



Matchbox Sleeve



Matchbox Insert

