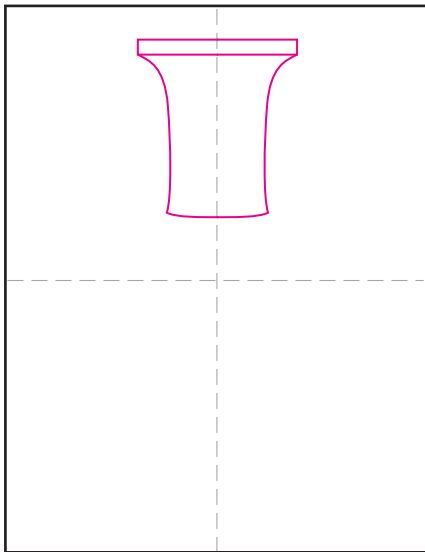
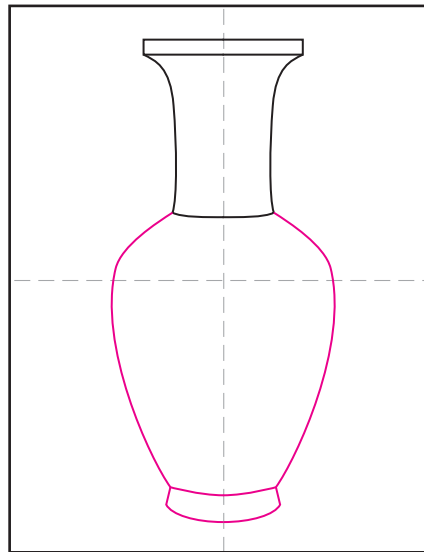


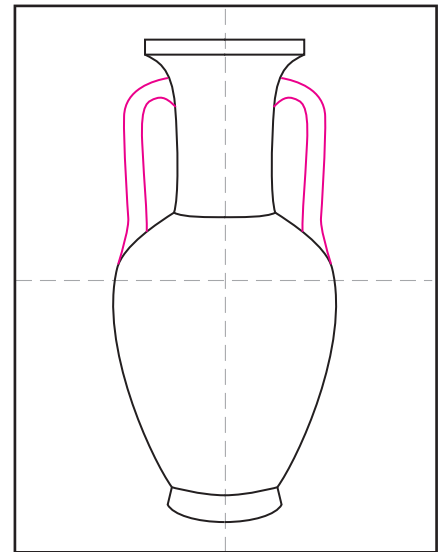
How to Draw a Greek Vase



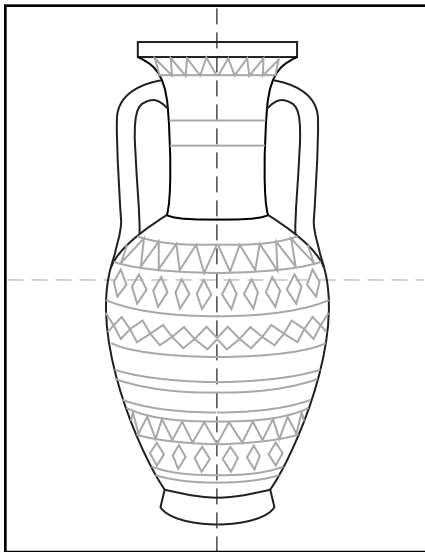
1. Start the vase with the top shape.



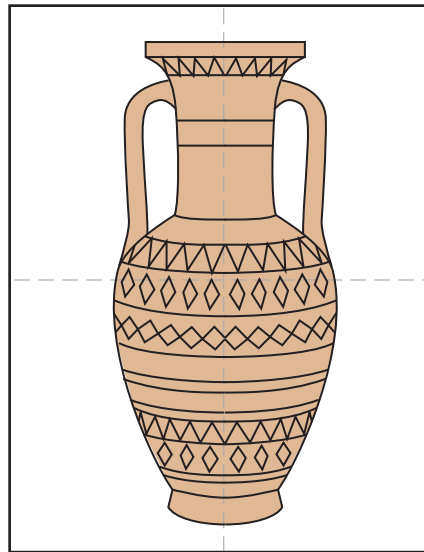
2. Add the bottom shape.



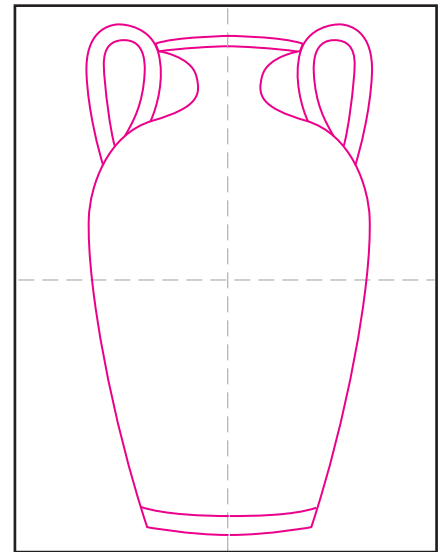
3. Draw two matching handles.



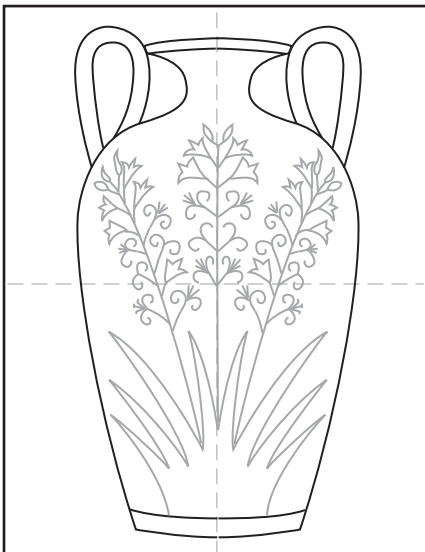
4. Add curved lines and patterns with your pencil.



5. Paint with gold paint, trace lines with a black marker afterwards.



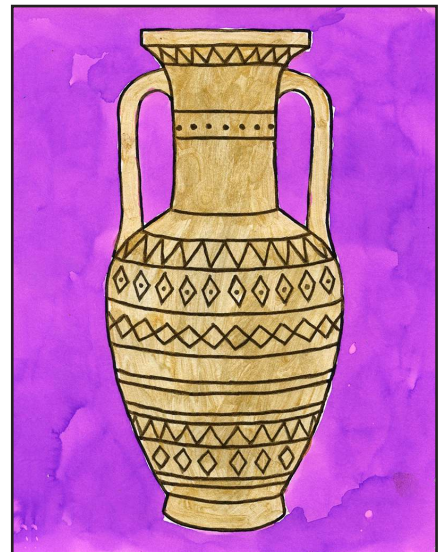
6. Another vase option to draw.



7. Another decoration idea, flowers.



8. Paint gold, trace, paint background with pan black watercolor paint.



9. Paint the background with bright liquid watercolor paint.

Greek Vase

