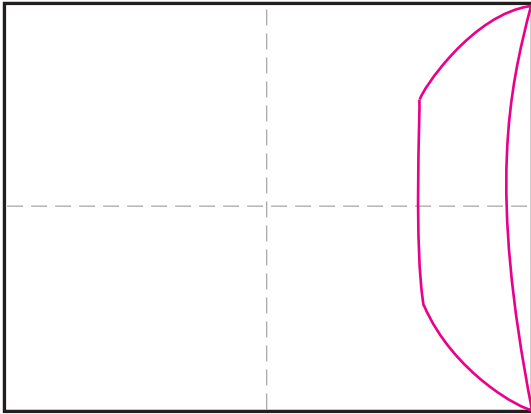
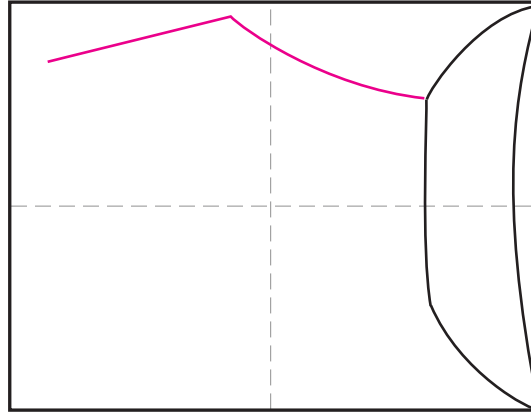


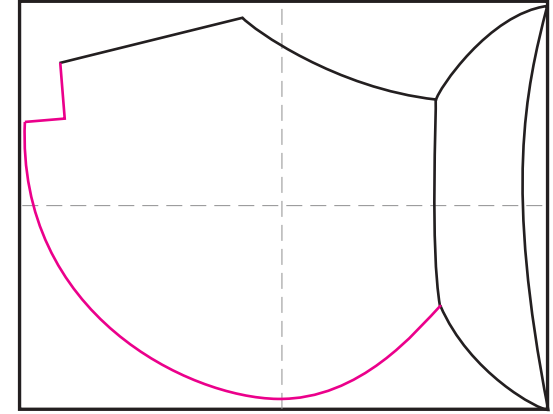
Mexican Alebrije Fish



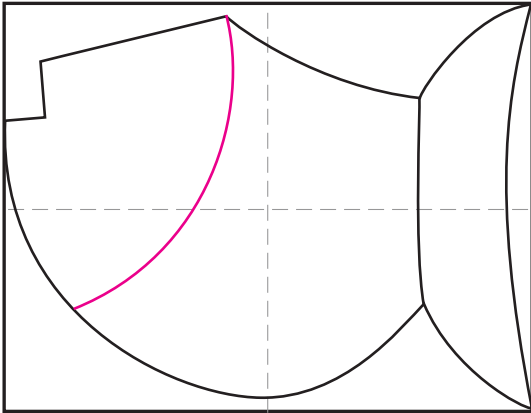
1. DO draw large, to the edges of the cardboard. Start by drawing the tail.



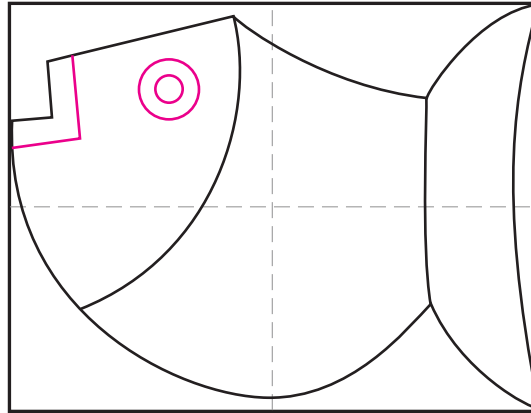
2. Add the top of the fish body shape.



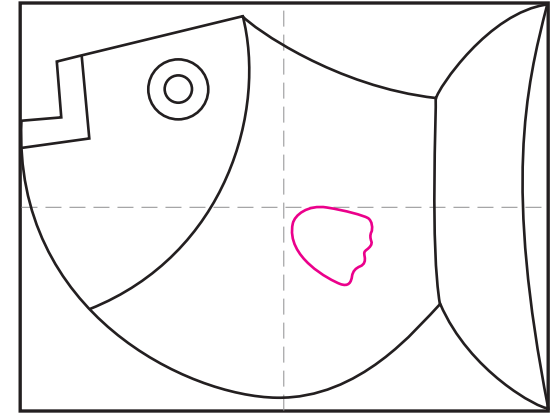
3. Continue down with the small mouth and belly.



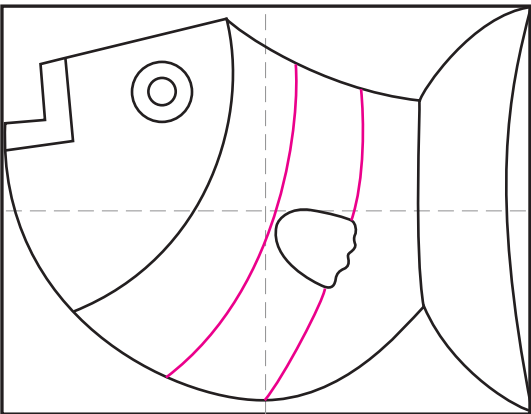
4. Add the curve of the head.



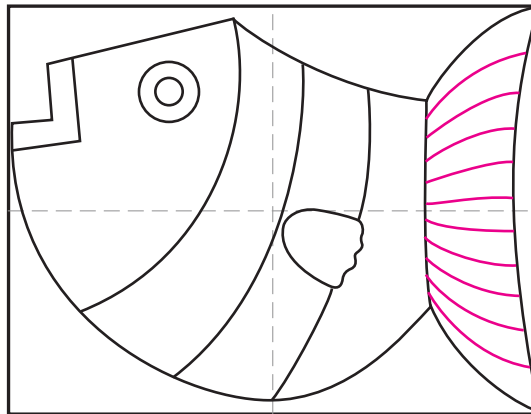
5. Draw circle eyes and line for the lips.



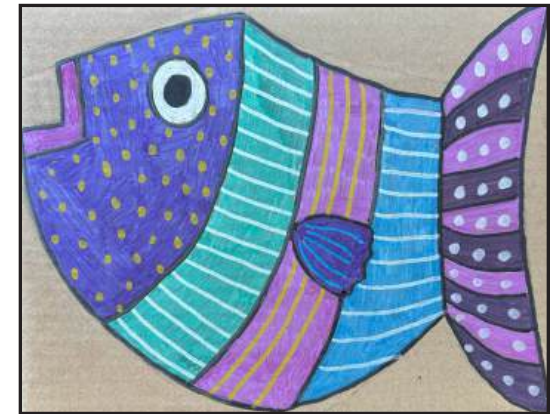
6. Add a fin on the side.



7. Draw two more curved lines.



8. Add detail lines inside the tail.



9. Trace with thick black marker. Fill in the shapes with metallic markers. Add pattern lines on top.

Mexican Alebrije Fish

