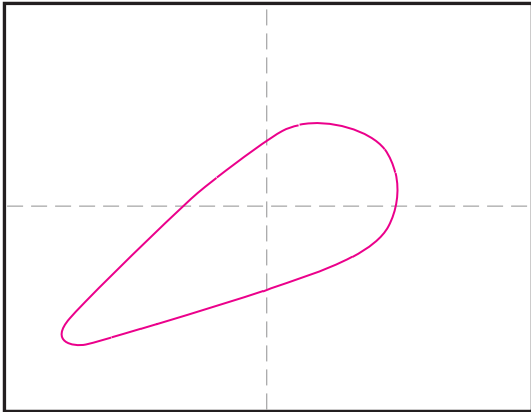
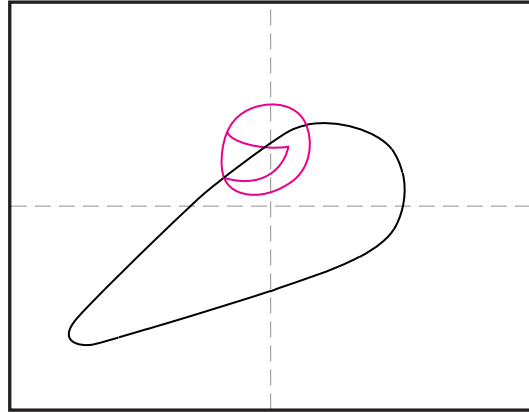


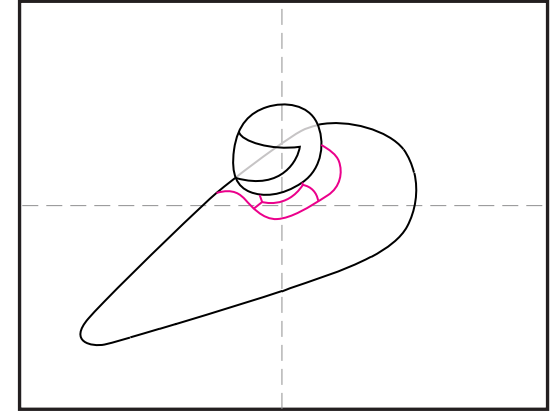
How to Draw an F1 Race Car



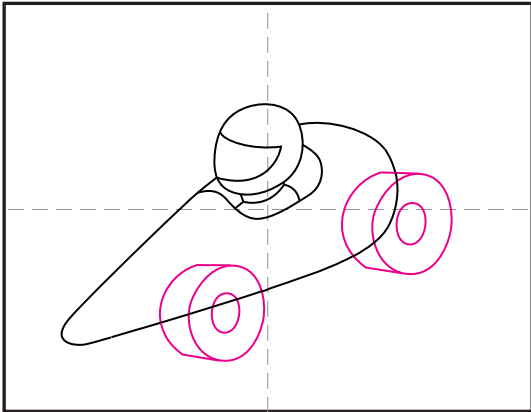
1. Draw the main shape of the car.



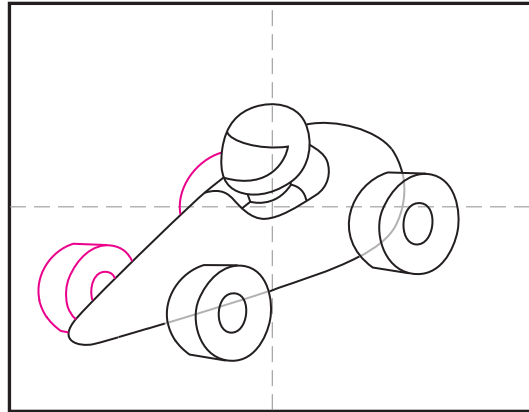
2. Add the helmet shape near the top.



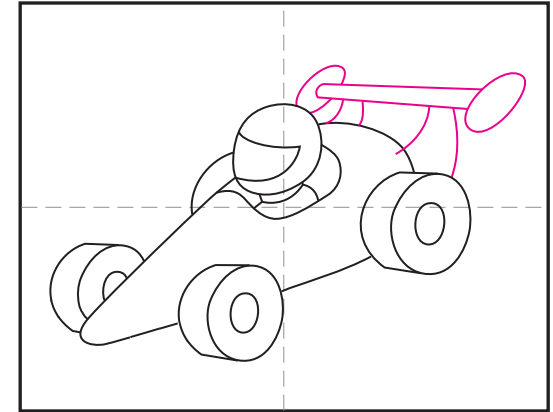
3. Draw the opening in the car and the body.



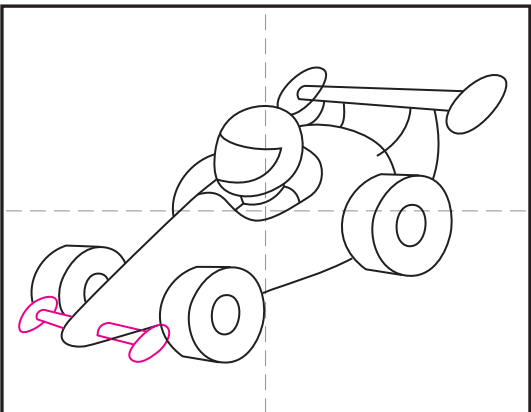
4. Add the two wheels on the right,



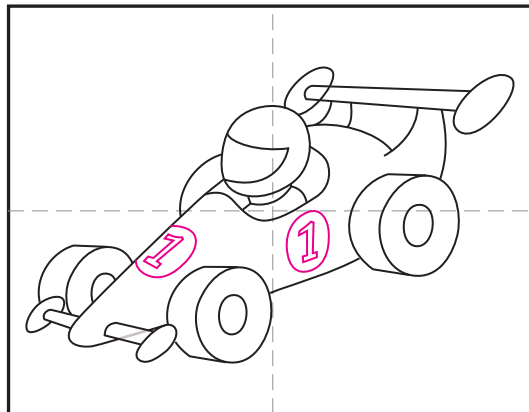
5. Draw what you see of the wheels on the left.



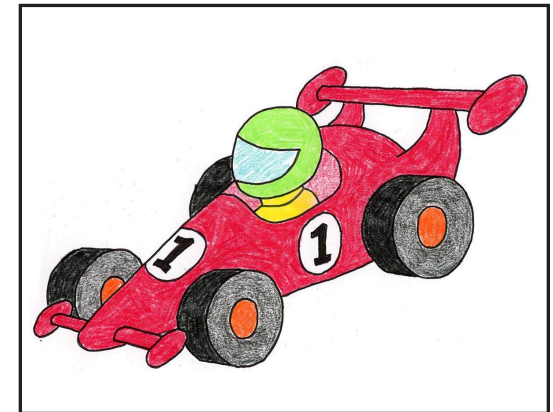
6. Add the rear wing shapes.



7. Draw the front wing shapes.



8. Add a block number and circle around it.



9. Trace with a marker and color.

F1 Race Car

