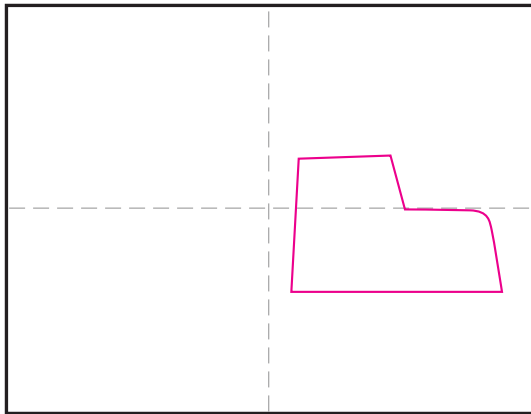
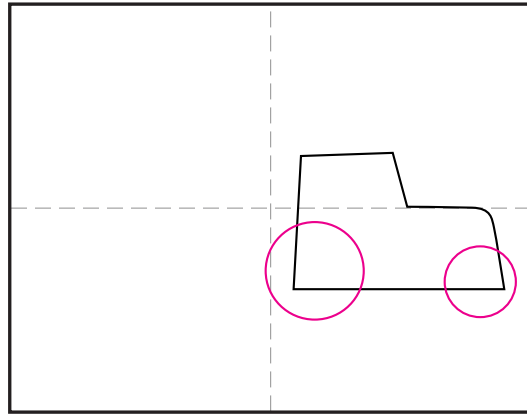


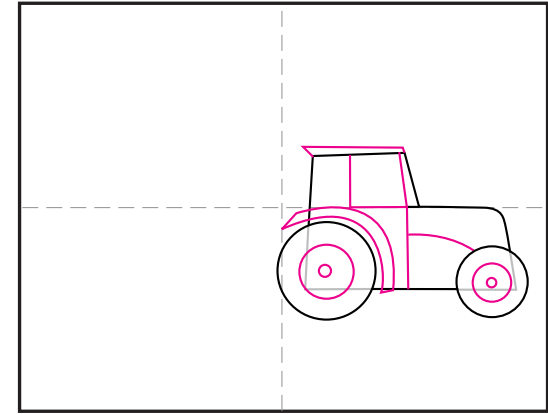
Draw like Artist Richard Wawro



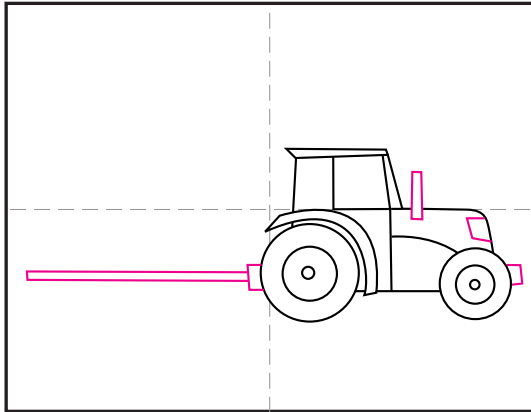
1. Start the tractor with a basic shape.



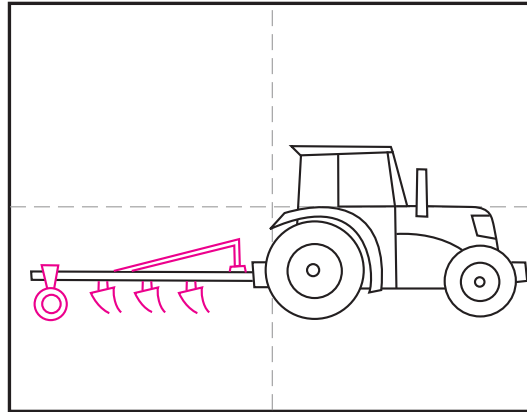
2. Add the large and small wheel.



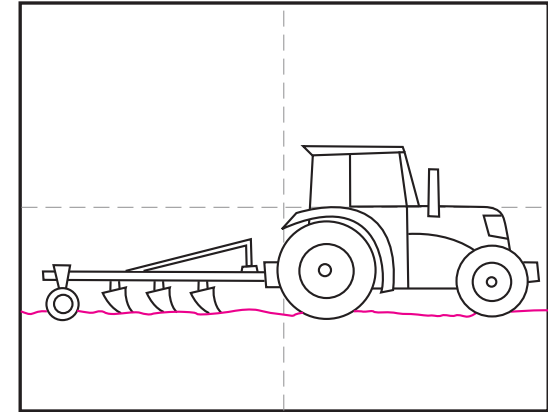
3. Erase inside and add the details shown.



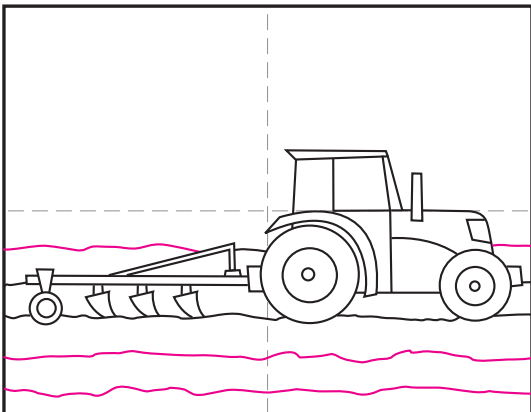
4. Finish tractor and start the cultivator.



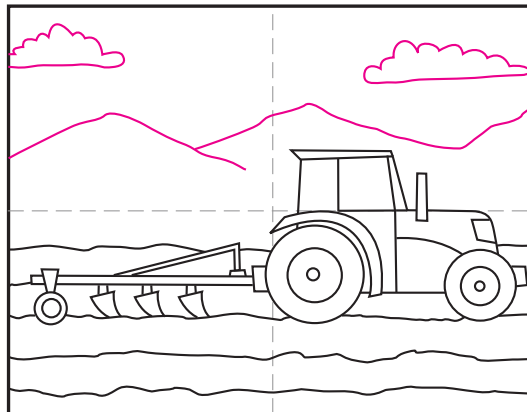
5. Add wheel and cultivator details.



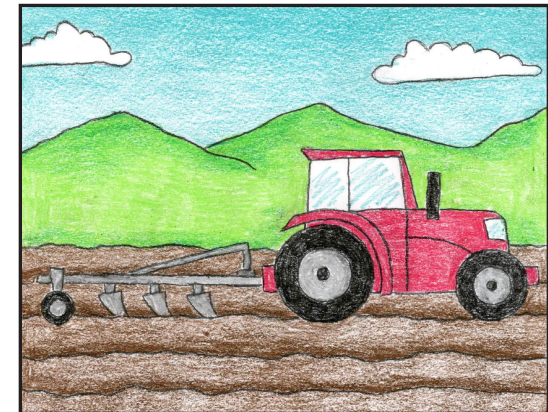
6. Draw the dirt line below the tractor.



7. Add 3 more bumpy lines for rows of dirt.



8. Draw a background of mountains and sky.



9. Color, using pressure and layers to add shadows.

Draw like Artist Richard Wawro



